

TFT LCD Approval Specification

MODEL NO.: V562D1 - L01

Approved By	TV Head Division	
	LY Chen	

Reviewed By	QRA Dept.	Product Development Div.
	Tomy Chen	WT Lin

Prepared By	LCD TV Marketing and Product Management Div.	
	Henry Teng	

- CONTENTS -

REVISION HISTORY	-----	3
1. GENERAL DESCRIPTION	-----	4
1.1 OVERVIEW		
1.2 FEATURES		
1.3 APPLICATION		
1.4 GENERAL SPECIFICATIONS		
1.5 MECHANICAL SPECIFICATIONS		
2. ABSOLUTE MAXIMUM RATINGS	-----	6
2.1 ABSOLUTE RATINGS OF ENVIRONMENT		
2.2 RATINGS OF IMAGE STICKING		
3. ELECTRICAL MAXIMUM RATINGS	-----	8
3.1 TFT LCD MODULE		
3.2 BACKLIGHT UNIT		
4. ELECTRICAL CHARACTERISTICS	-----	9
4.1 TFT LCD MODULE		
4.2 BACKLIGHT UNIT		
4.2.1 CCFL CHARACTERISTICS		
4.2.2 INVERTER CHARACTERISTICS		
4.2.3 INVERTER INTERFACE CHARACTERISTIC		
5. BLOCK DIAGRAM	-----	16
5.1 TFT LCD MODULE		
6. LCD INPUT TERMINAL PIN ASSIGNMENT	-----	17
6.1 TFT LCD MODULE DVI INPUT		
6.2 TFT LCD MODULE POWER INPUT		
6.3 BACKLIGHT UNIT		
6.4 INVERTER UNIT		
6.5 BLOCK DIAGRAM OF IMAGE SIGNAL		
6.6 DVI SIGNAL LIST		
6.7 DVI LINK TIMING REQUIREMENTS		
7. TIMING REQUIREMENTS OF IMAGE SIGNAL	-----	24
7.1 INPUT SIGNAL TIMING SPECIFICATIONS		
7.2 EXTENDED DISPLAY IDENTIFICATION DADA (EDID)		
7.3 EXTENDED DISPLAY IDENTIFICATION DADA (EDID) CODE		
7.4 POWER ON/OFF SEQUENCE		
8. OPTICAL CHARACTERISTICS	-----	29
8.1 TEST CONDITIONS		
8.2 OPTICAL SPECIFICATIONS		
9. PRECAUTIONS	-----	33
9.1 ASSEMBLY AND HANDLING PRECAUTIONS		
9.2 SAFETY PRECAUTIONS		
9.3 SAFETY STANDARDS		
10. DEFINITION OF LABELS	-----	34

11. PACKAGE	-----	35
12. MECHANICAL CHARACTERISTICS	-----	37

REVISION HISTORY

Version	Date	Page (New)	Section	Description
Ver 2.0	Apr. 13,'07	All	All	Approval Specification is first issued.

1. GENERAL DESCRIPTION

1.1 OVERVIEW

V562D1-L01 is a 56" Thin-Film-Transistor Liquid-Crystal (TFT-LCD) module with one 32-CCFL backlight unit and two ports Dual-DVI utilization. This module supports 3840 x 2160 Quad Full High Definition (QFHD) TV format and can display 16.7M colors (8-bit). The inverter module for backlight is also built-in.

1.2 FEATURES

- Ultra Wide Viewing Angle (176(H)/ 176(V) for CR>30)
- High Brightness (500 nits)
- High Contrast Ratio (1200:1)
- Ultra Fast Response Time (Gray to gray average 6.5 ms)
- High Color Saturation (NTSC 75%)
- QFHD (3840 x 2160 pixels) Resolution
- 2 Ports Dual-DVI (Digital Visual Interface)
- RoHS Compliance

1.3 APPLICATION

- Luxurious Living Room TVs
- Public Display
- Home Theater
- Satellite Communication
- Medical Analyses/ Instruction
- Security and Monitoring
- Industrial Design
- 3D Display
- Digital Museum
- Multi-Media Display

1.4 GENERAL SPECIFICATIONS

Item	Specification	Unit	Note
Active Area	1244.16 (H) x 699.84 (V) (56.2" diagonal)	mm	
Bezel Opening Area	1252.1 (H) x 707.8 (V)	mm	
Driver Element	a-si TFT active matrix	-	-
Pixel Number	3840x R.G.B. x 2160	pixel	-
Pixel Pitch(Sub Pixel)	0.108 (H) x 0.324 (V)	mm	-
Pixel Arrangement	RGB vertical stripe	-	-
Display Colors	16.7M	color	-
Display Operation Mode	Transmissive mode / Normally black	-	-
Surface Treatment	Hard coating 3H Low reflection coating< 2% reflection	-	(1)

Note (1) The specifications of the surface treatment are temporarily for this phase. CMO reserves the rights to change this feature.

1.5 MECHANICAL SPECIFICATIONS

Item		Min.	Typ.	Max.	Unit	Note
Module Size	Horizontal(H)	1308.5	1309.5	1310.8	mm	
	Vertical(V)	766	767	768.3	mm	
	Depth(D)	57.2	58.5	59.8	mm	To PCB cover
	Depth(D)	61.9	63.2	64.5	mm	To inverter cover
Weight		23000	23500	24000	g	

2. ABSOLUTE MAXIMUM RATING

2.1 ABSOLUTE RATINGS OF ENVIRONMENT

Item	Symbol	Value		Unit	Note	
		Min.	Max.			
Storage Temperature	T _{ST}	-20	+55	°C	(1)	
Operating Ambient Temperature	T _{OP}	0	40	°C	(1), (2)	
Shock (Non-Operating)	S _{NOP}	X, Y axis	-	30	G	(3), (5)
		Z axis	-	30	G	(3), (5)
Vibration (Non-Operating)	V _{NOP}	-	1.0	G	(4), (5)	

Note (1) Temperature and relative humidity range is shown in the figure below.

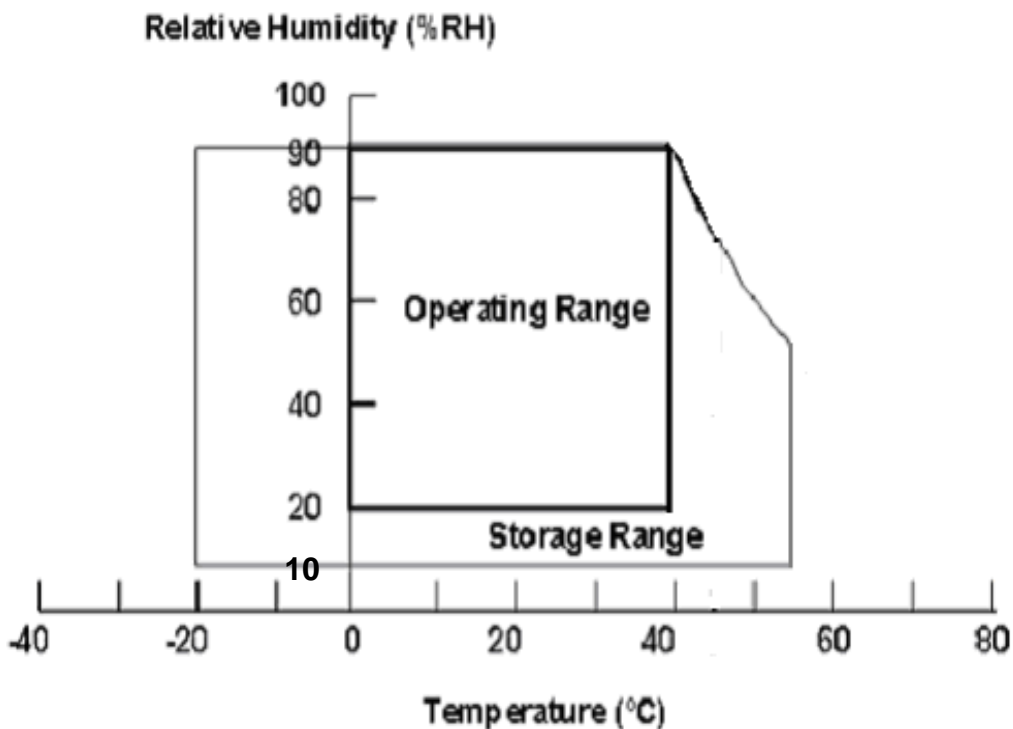
- (a) 90 %RH Max. (Ta ≤ 40 °C).
- (b) Wet-bulb temperature should be 39 °C Max. (Ta > 40 °C).
- (c) No condensation.

Note (2) The maximum operating temperature is based on the test condition that the surface temperature of display area is less than or equal to 65 °C with LCD module alone in a temperature controlled chamber. Thermal management should be considered in your product design to prevent the surface temperature of display area from being over 65 °C. The range of operating temperature may degrade in case of improper thermal management in your product design.

Note (3) 11 ms, half sine wave, 1 time for ± X, ± Y, and ± Z.

Note (4) 10 ~ 200 Hz, 10 min, 1 time each X, Y, Z.

Note (5) At testing Vibration and Shock, the fixture in holding the module has to be hard and rigid enough so that the module would not be twisted or bent by the fixture. The module would not be twisted or bent by the fixture.



2.2 RATINGS OF IMAGE STICKING

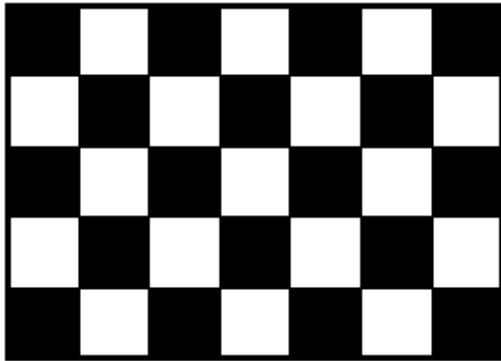
Item	Symbol	Value	Unit	Note
Room Temperature Image Sticking	RT IS	Invisibility	6% ND (%)	(1)(3)
High Temperature Image Sticking	HT IS	Invisibility	6% ND (%)	(2)(3)

Note (1) Room temperature image sticking test is at $25\pm 3^{\circ}\text{C}$ environment and fix the pattern A (checker pattern) for 12 hours.

Note (2) High temperature image sticking test is at $50\pm 3^{\circ}\text{C}$ environment and fix the pattern A for 12 hours.

Note (3) Inspection condition is at pattern B (128grade) after 5 mins from pattern A.

A. Pattern A (checker pattern)



B. Pattern B (128grade)



3. ELECTRICAL MAXIMUM RATINGS

3.1 TFT LCD MODULE

Item	Symbol	Value		Unit	Note
		Min.	Max.		
Power Supply Voltage	V_{CC1}	-0.3	20	V	
	V_{CC2}	-0.3	6	V	
DVI Termination Supply Voltage	AV_{CC}		4.0	V	(2)
DVI Signal Voltage on any pin	-	-0.5	4.0	V	
DVI Differential Mode Signal Voltage on any pin	-	-0.5	4.0	V	
Logic Input Voltage	V_{IN}	-0.3	3.6	V	

Note: (1) Permanent damage to the device may occur if maximum values are exceeded. Function operation should be restricted to the conditions described under normal operating conditions.

(2) The maximum ratings of the DVI are specified in the DVI specification of DDWG.

3.2 BACKLIGHT UNIT

Item	Symbol	Value		Unit	Note
		Min.	Max.		
Lamp Voltage	V_W	-	5000	V_{RMS}	
Power Supply Voltage	V_{BL}	0	30	V	(1)
Control Signal Level	-	-0.3	7	V	(1), (2), (3)

Note (1) Permanent damage to the device may occur if maximum values are exceeded. Function operation should be restricted to the conditions described under normal operating conditions.

Note (2) No moisture condensation or freezing.

Note (3) The control signals include On/Off Control, Internal PWM Control, External PWM Control and Internal/External PWM Selection.

4. ELECTRICAL CHARACTERISTICS

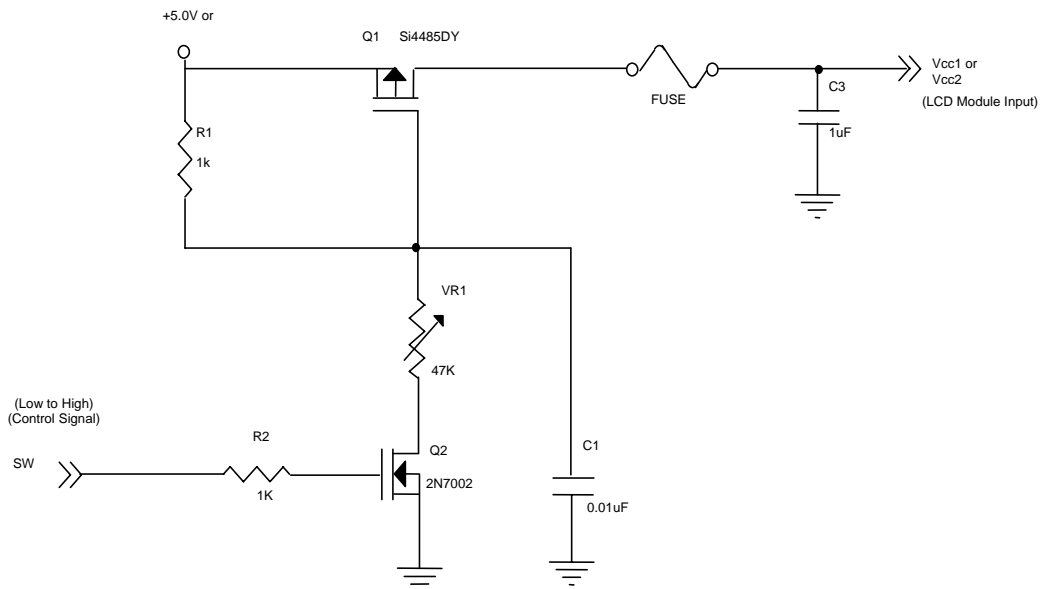
4.1 TFT LCD MODULE

Ta = 25 ± 2 °C

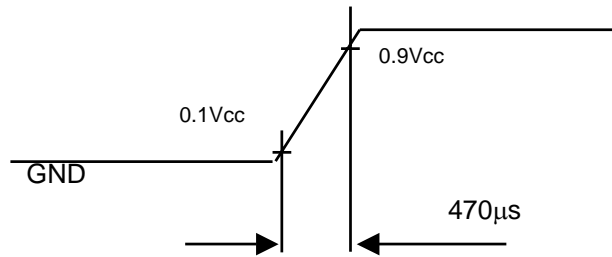
Parameter		Symbol	Value			Unit	Note
			Min.	Typ.	Max.		
Power Supply Voltage		V _{CC1}	17.1	18	18.9	V	(1)
		V _{CC2}	4.5	5	5.5	V	
Power Supply Ripple Voltage		V _{RP1}	-	-	400	mV	
		V _{RP2}	-	-	200	mV	
Rush Current		I _{RUSH1}	-	-	4.5	A	(2)
		I _{RUSH2}	-	-	12.5	A	
Power Supply Current	White	I _{CC1}	-	1.8	2.3	A	(3)
	Black		-	0.7	-	A	
	Vertical Stripe		-	1.4	-	A	
	White	I _{CC2}	-	4.6	-	A	
	Black		-	4.1	-	A	
	Vertical Stripe		-	4.7	-	A	
	V-Stripe-2column		-	6.2	7.8	A	
DVI Interface	Differential Input Voltage Single Ended Amplitude	V	100	-	800	mV	(4) (5)
	Receiver Resistor	R _T	95	100	105	ohm	
CMOS Interface	Input High Threshold Voltage	V _{IH}	2.7	-	3.3	V	
	Input Low Threshold Voltage	V _{IL}	0	-	0.7	V	

Note: (1) The module should be always operated within the above ranges.

(2) Measurement conditions:

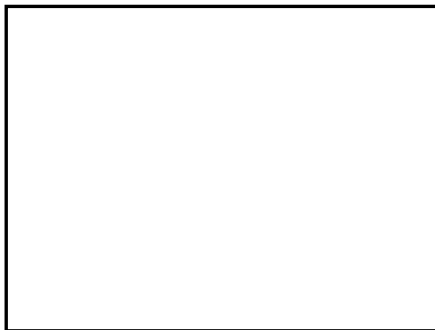


Vcc rising time is at least 470μs



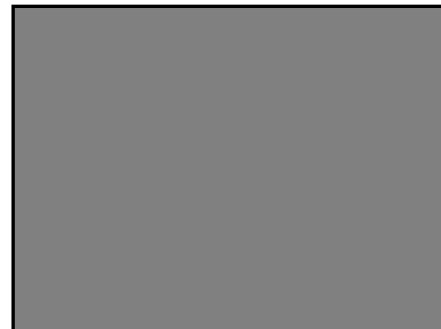
(3)The specified power supply current is under the conditions at $V_{cc1} = 18\text{ V}$, $V_{cc2} = 5\text{ V}$, $T_a = 25 \pm 2\text{ }^\circ\text{C}$, $f_v = 60\text{ Hz}$, whereas a power dissipation check pattern below is displayed.

a. White Pattern



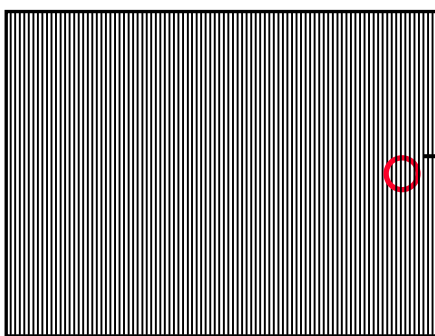
Active Area

b. Black Pattern

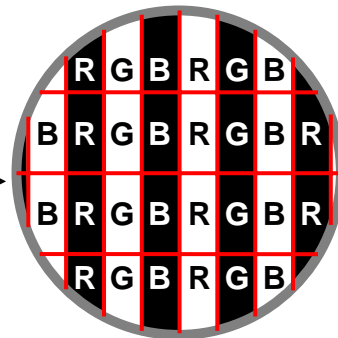


Active Area

c. Vertical Stripe Pattern

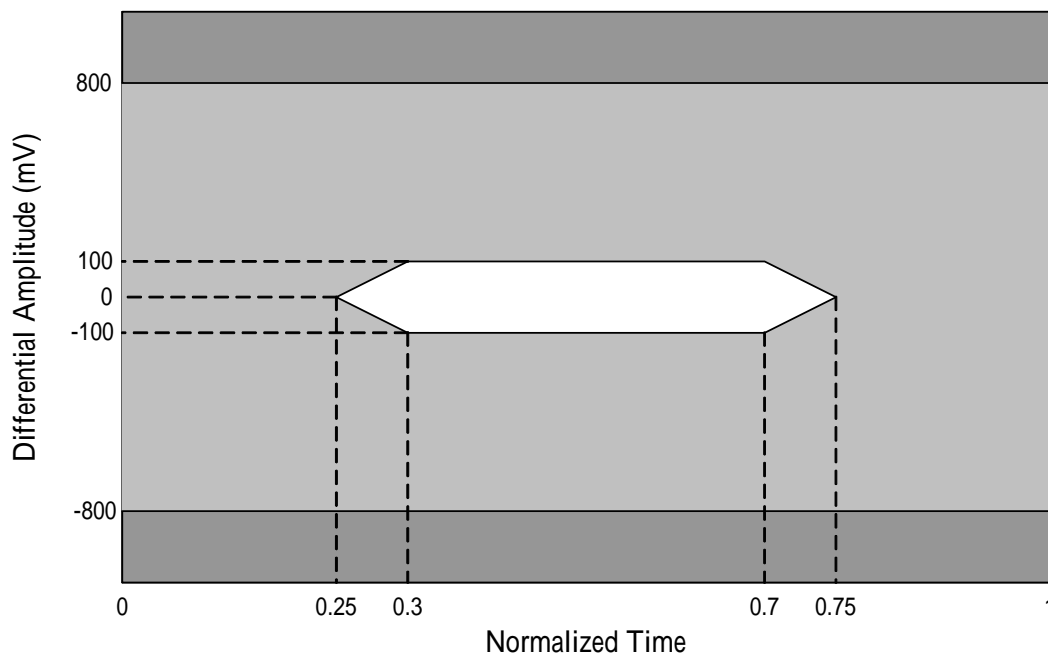


Active Area



(4) The electrical characteristics of DVI are specified in the DVI specification of DDWG.

(5) The receiver shall reproduce a test data stream, with pixel error rate 10^{-9} , when presented with input amplitude illustrate by the eye diagram.



Absolute Eye Diagram Mask at TP3

4.2 BACKLIGHT UNIT

4.2.1 CCFL (Cold Cathode Fluorescent Lamp) CHARACTERISTICS (Ta=25±2)

Parameter	Symbol	Value			Unit	Note
		Min.	Typ.	Max.		
Lamp Voltage	V_W	-	1728	-	V_{RMS}	$I_L = 5.7mA$
Lamp Current	I_L	5.2	5.7	6.2	mA_{RMS}	(1)
Lamp Starting Voltage	V_S	-	-	2550	V_{RMS}	(2), Ta = 0 °C
		-	-	2350	V_{RMS}	(2), Ta = 25 °C
Operating Frequency	F_o	40	60	80	KHz	(3)
Lamp Life Time	L_{BL}	-	50000	-	Hrs	(4)

4.2.2 INVERTER CHARACTERISTICS (Ta=25±2)

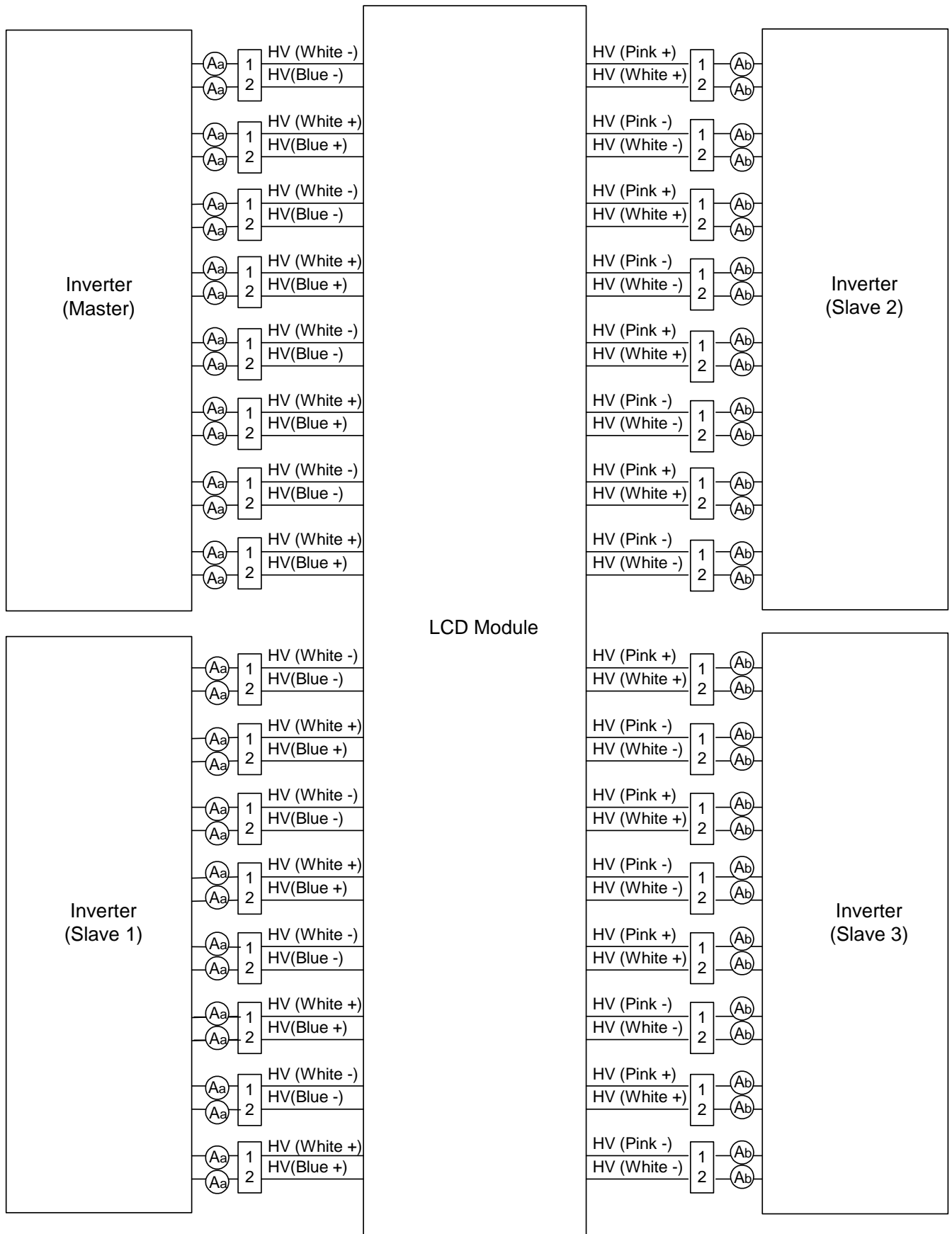
Parameter	Symbol	Value			Unit	Note
		Min.	Typ.	Max.		
Power Consumption	P_{BL}	-	300	315	W	(5), $I_L = 5.7mA$
Power Supply Voltage	V_{BL}	22.8	24.0	25.2	V_{DC}	
Power Supply Current	I_{BL}	-	13	-	A	Non Dimming
Input Ripple Noise	-	-	-	912	mV_{P-P}	$V_{BL} = 22.8V$
Oscillating Frequency	F_W	47	50	53	kHz	
Dimming frequency	F_B	150	160	180	Hz	
Minimum Duty Ratio	D_{MIN}	-	20	-	%	

Note (1) Lamp current is measured by utilizing high frequency current meters as shown below:

Note (2) The lamp starting voltage V_S should be applied to the lamp for more than 1 second after startup.

Otherwise the lamp may not be turned on.

- Note (3) The lamp frequency may produce interference with horizontal synchronous frequency of the display input signals, and it may result in line flow on the display. In order to avoid interference, the lamp frequency should be detached from the horizontal synchronous frequency and its harmonics as far as possible.
- Note (4) The life time of a lamp is defined as when the brightness is larger than 50% of its original value and the effective discharge length is longer than 80% of its original length (Effective discharge length is defined as an area that has equal to or more than 70% brightness compared to the brightness at the center point of lamp.) as the time in which it continues to operate under the condition at $T_a = 25 \pm 2$ and $I_L = 5.2 \sim 6.2 \text{mA}_{\text{rms}}$.
- Note (5) The power supply capacity should be higher than the total inverter power consumption P_{BL} . Since the pulse width modulation (PWM) mode was applied for backlight dimming, the driving current changed as PWM duty on and off. The transient response of power supply should be considered for the changing loading when inverter dimming.
- Note (6) The measurement condition of Max. value is based on 56" backlight unit under input voltage 24V, average lamp current 6.0 mA and lighting 30 minutes later.



4.2.3 INVERTER INTERFACE CHARACTERISTICS

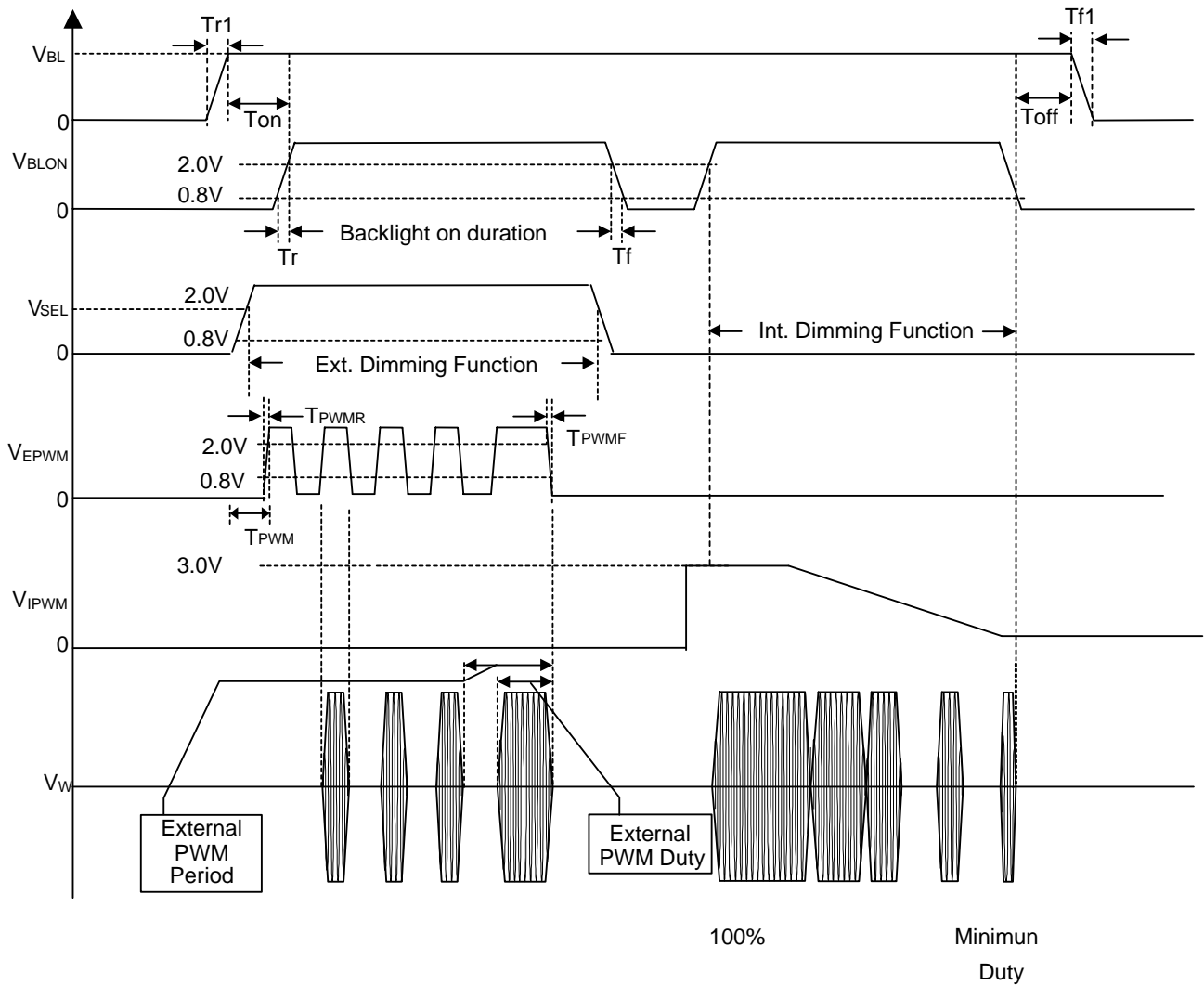
Parameter	Symbol	Test Condition	Value			Unit	Note	
			Min.	Typ.	Max.			
On/Off Control Voltage	ON	V_{BLON}	-	2.0	-	5.0	V	
	OFF		-	0	-	0.8	V	
Internal/External PWM Select Voltage	HI	V_{SEL}	-	2.0	-	5.0	V	
	LO		-	0	-	0.8	V	
Internal PWM Control Voltage	MAX	V_{IPWM}	$V_{SEL} = L$	-	-	3.0	V	maximum duty ratio
	MIN			-	0	-	V	minimum duty ratio
External PWM Control Voltage	HI	V_{EPWM}	$V_{SEL} = H$	2.0	-	5.0	V	duty on
	LO			0	-	0.8	V	duty off
VBL Rising Time	T_{r1}	-	30	-	50	ms		
VBL Falling Time	T_{f1}	-	30	-	50	ms		
Control Signal Rising Time	T_r	-	-	-	100	ms		
Control Signal Falling Time	T_f	-	-	-	100	ms		
PWM Signal Rising Time	T_{PWMR}	-	-	-	50	us		
PWM Signal Falling Time	T_{PWMF}	-	-	-	50	us		
Input impedance	R_{IN}	-	1	-	-	M		
PWM Delay Time	T_{PWM}	-	100		300	mS		
BLON Delay Time	T_{on}	-	300	-	500	ms		
BLON Off Time	T_{off}	-	300	-	500	ms		

Note (1) The SEL signal should be valid before backlight turns on by BLON signal. It is inhibited to change the internal/external PWM selection (SEL) during backlight turn on period.

Note (2) The power sequence and control signal timing are shown in the following figure.

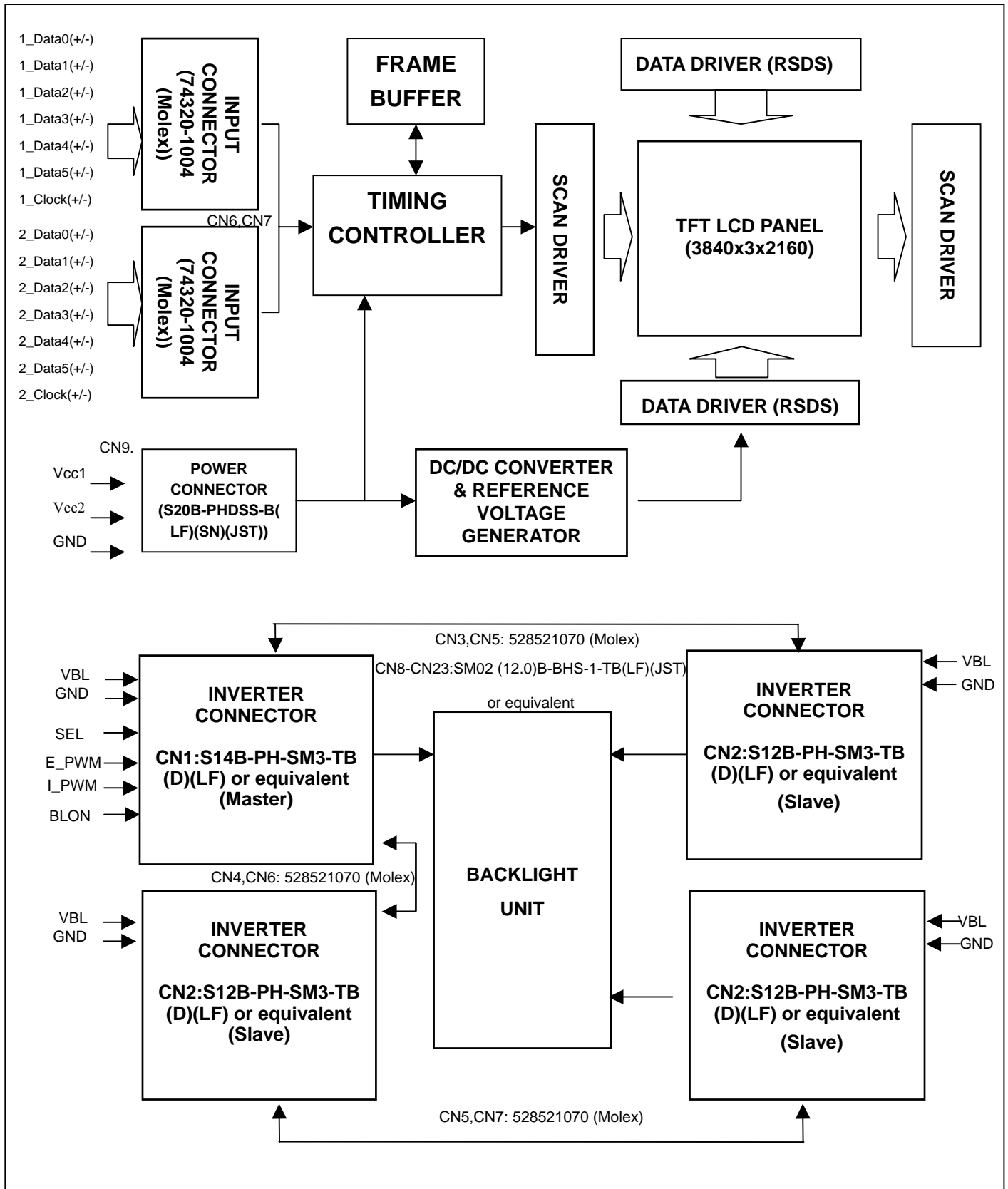
Note (3) The power sequence and control signal timing must follow the figure below. For a certain reason, the inverter has a possibility to be damaged with wrong power sequence and control signal timing.

Note (4) Abnormal operation may occur if these maximum values of control signal are exceeded.



5. BLOCK DIAGRAM

5.1 TFT LCD MODULE



6. LCD INPUT TERMINAL PIN ASSIGNMENT

6.1 TFT LCD MODULE DVI INPUT

CN6, CN7 Connector Pin Assignment

Pin	Signal Assignment	Pin	Signal Assignment	Pin	Signal Assignment
1	T.M.D.S Data2-	9	T.M.D.S Data1-	17	T.M.D.S Data0-
2	T.M.D.S Data2+	10	T.M.D.S Data1+	18	T.M.D.S Data0+
3	T.M.D.S Data2/4 shield	11	T.M.D.S Data1/3 shield	19	T.M.D.S Data0/5 shield
4	T.M.D.S Data4-	12	T.M.D.S Data3-	20	T.M.D.S Data5-
5	T.M.D.S Data4+	13	T.M.D.S Data3+	21	T.M.D.S Data5+
6	DDC Clock	14	+5V Power	22	T.M.D.S Clock shield
7	DDC Data	15	Ground(for +5V)	23	T.M.D.S Clock+
8	No Connect	16	Hot Plug Detect	24	T.M.D.S Clock-
C1	No Connect	C2	No Connect	C3	No Connect
C4	No Connect	C5	No Connect		

Note:(1) CN6, CN7 Connector part no.: 74320-1004 (Molex) or equivalent.

(2) The DVI pin assignment is specified in the DVI specification of DDWG.

6.2 TFT LCD MODULE POWER INPUT

CN9 Connector Pin Assignment

Pin No.	Symbol	Description	Note	
1	VIN	+18.0V power supply		
2	VIN	+18.0V power supply		
3	V5VC	+5.0V power supply		
4	V5VC	+5.0V power supply		
5	V5VC	+5.0V power supply		
6	NC	No Connection		
7	V5VC	+5.0V power supply		
8	NC	No Connection		
9	V5VC	+5.0V power supply		
10	NC	No Connection		
11	GND	Ground		
12	NC	No Connection		
13	GND	Ground		
14	NC	No Connection		
15	GND	Ground		
16	ODSEL	ODSEL		(3)
17	GND	Ground		
18	GND	Ground		
19	GND	Ground		
20	GND	Ground		

Note: (1) CN9 connector part no.: S20B-PHDSS-B(LF)(SN), JST(日本壓著端子),德通端子 or equivalent.

(2) CN10 is just only for CMO internal testing.

(3) ODSEL (Overdrive Lookup Table Selection). The overdrive lookup table should be selected in accordance to the frame rate to optimize image quality.

ODSEL	Note
L	Lookup table was optimized for 60Hz frame rate.
H	Lookup table was optimized for 50Hz frame rate.

(4) "L" and "H" operation in (3) could follow "CMOS Interface" in Section 4.1.

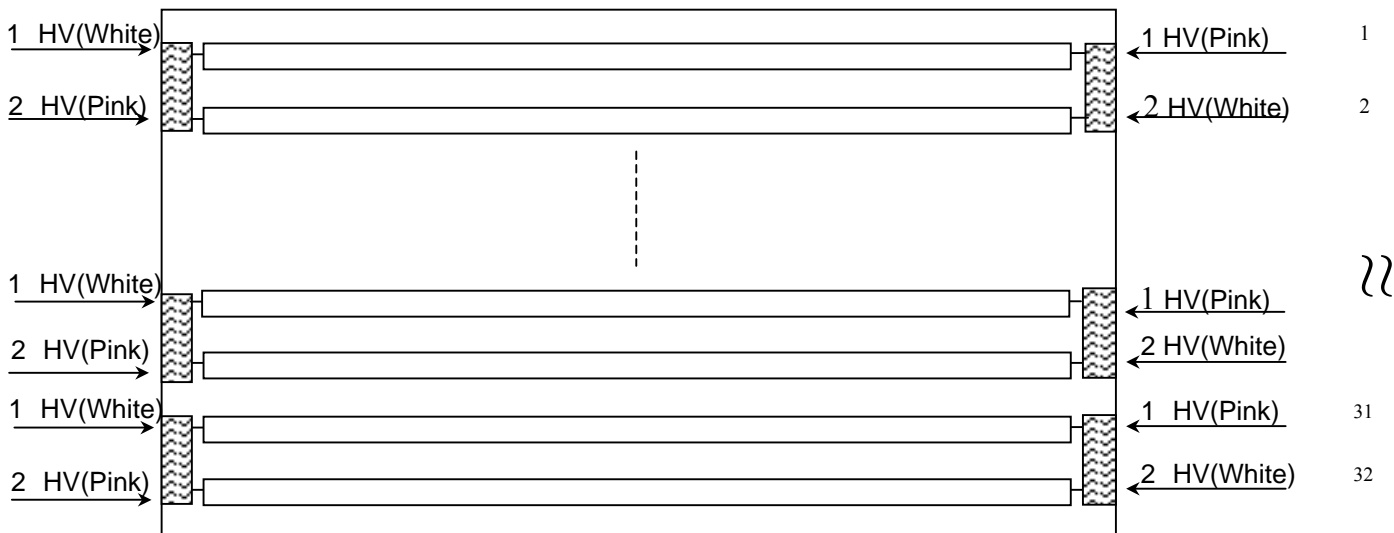
6.3 BACKLIGHT UNIT

The pin configuration for the housing and the leader wire is shown in the table below.

CN8-CN23: BHR-04VS-1 (JST).

Pin	Name	Description	Wire Color
1	HV	High Voltage	Pink
2	HV	High Voltage	White

Note (1) The backlight interface housing for high voltage side is a model BHR-04VS-1, manufactured by JST and the mating header on inverter part number is SM02 (12.0) B-BHS-1-TB (LF).



6.4 INVERTER UNIT

CN1 (Master, Header): S14B-PH-SM3-TB (D)(LF)(JST) or equivalent

Pin No.	Symbol	Description
1	VBL	+24V _{DC} power input
2		
3		
4		
5		
6	GND	GND
7		
8		
9		
10		
11	SEL	Internal/external PWM selection High : external dimming Low : internal dimming
12	E_PWM	External PWM control signal E_PWM should be connected to ground when internal PWM was selected (SEL = Low).
13	I_PWM	Internal PWM Control Signal I_PWM should be connected to ground when external PWM was selected (SEL = High).
14	BLON	Backlight on/off control

CN2 (Slave, Header): S12B-PH-SM3-TB (D)(LF)(JST) or equivalent

Pin No.	Symbol	Description
1	VBL	+24V _{DC} power input
2		
3		
4		
5		
6	GND	GND
7		
8		
9		
10		
11	NC	NC
12	NC	NC

CN8-CN15 (Master, Header), CN16-CN23 (Slave, Header): SM02 (12.0) B-BHS-1-TB (LF)(JST) or equivalent

Pin No.	Symbol	Description
1	CCFL HOT	CCFL high voltage
2	CCFL HOT	CCFL high voltage

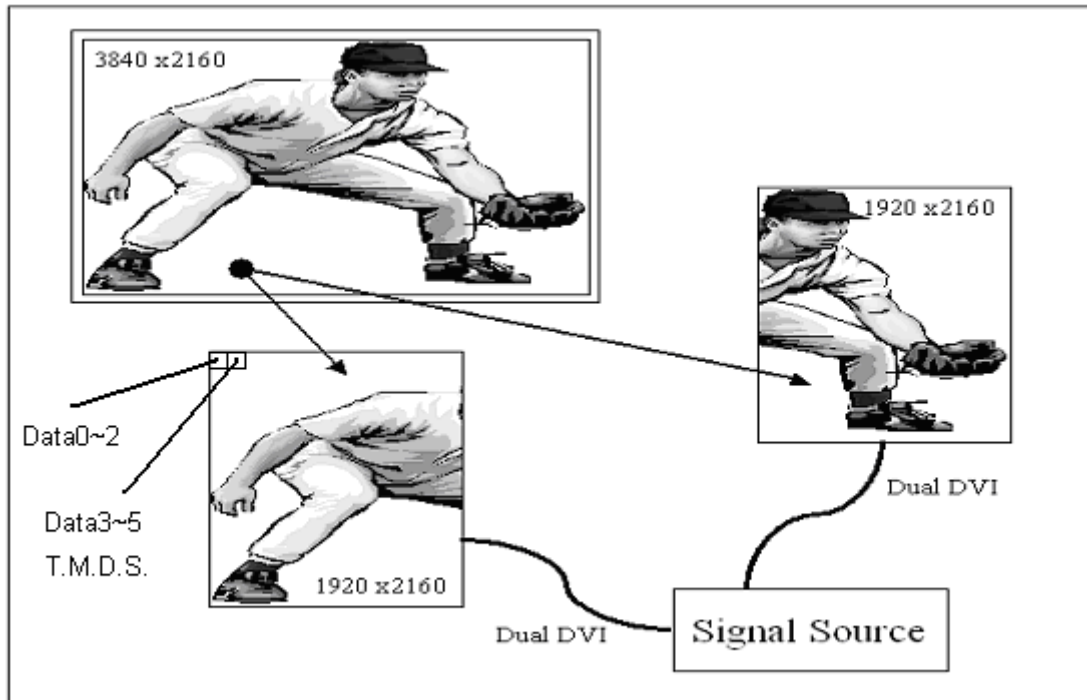
CN3-CN4 (Master, Header), CN5-CN7 (Slave, Header): 528521070 (Molex)

Pin No.	Symbol	Description
1	Control Signal	Board to Board
2		Board to Board
3		Board to Board
4		Board to Board
5		Board to Board
6		Board to Board
7		Board to Board
8		Board to Board
9		Board to Board
10		Board to Board

Note (1) Floating of any control signal is not allowed.

6.5 BLOCK DIAGRAM OF IMAGE SIGNAL

The video picture (3840x2160) should be divided into two parts: The left side (1920x2160) and the right side (1920x2160). Signals of these two parts should be delivered into the module individually through each dual-DVI. But it must be “synchronous” mutually between signals from these two dual-DVIs. The protocol of DVI is specified in the DVI specification of DDWG.



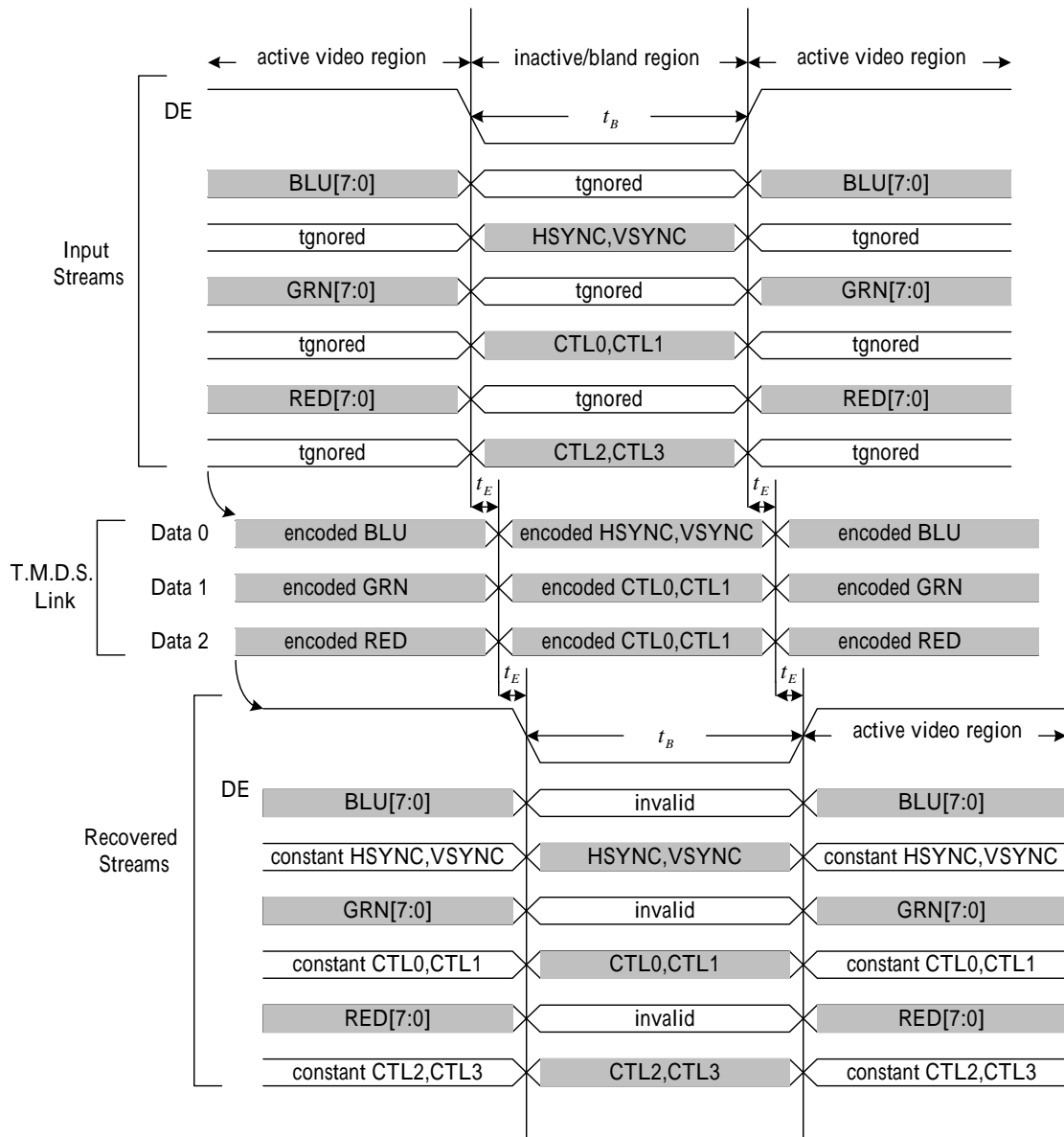
6.6 DVI SIGNAL LIST

Signal Name	Signal Description	Note
T.M.D.S. Signals		
T.M.D.S. Clock + & -	T.M.D.S. clock differential pair.	
T.M.D.S. Clock Shield	Shield for T.M.D.S. clock differential pair.	
T.M.D.S. Data0 + & -	T.M.D.S. link #0 channel #0 differential pair.	
T.M.D.S. Data0/5 Shield	Shared shield for T.M.D.S. link #0 channel #0 and link #1 channel #2.	
T.M.D.S. Data1 + & -	T.M.D.S. link #0 channel #1 differential pair.	
T.M.D.S. Data2/4 Shield	Shared shield for T.M.D.S. link #0 channel #2 and link #1 channel #1.	
T.M.D.S. Data2 + & -	T.M.D.S. link #0 channel #2 differential pair.	
T.M.D.S. Data1/3 Shield	Shared shield for T.M.D.S. link #0 channel #1 and link #1 channel #0.	
T.M.D.S. Data3 + & -	T.M.D.S. link #1 channel #0 differential pair.	
T.M.D.S. Data4 + & -	T.M.D.S. link #1 channel #1 differential pair.	
T.M.D.S. Data5 + & -	T.M.D.S. link #1 channel #2 differential pair.	
Control Signals		
Hot Plug Detect(HPD)	Signal is driven by monitor to enable the system to identify the presence of a monitor.	
DDC Data	The data line for the DDC interface.	
DDC Clock	The clock line for the DDC interface	
+5V Power	+5 volt signal provided by the system to enable the monitor to provide EDID data when the monitor circuitry is not powered.	
Ground (for +5V)	Ground reference for +5 volt power pin. Used as return by Hsync and Vsync Signals.	
Analog Signals		
Analog Red	Analog Red signal.	(1)
Analog Green	Analog Green signal.	
Analog Blue	Analog Blue signal.	
Analog Horizontal Sync	Horizontal synchronization signal for the analog interface.	
Analog Vertical Sync	Vertical synchronization signal for the analog interface.	
Analog Ground	Common ground for analog signals. Used as a return for analog red, green and blue signals only.	

Note (1) No using.

(2)The DVI signal list is specified in the DVI specification of DDWG.

6.7 DVI LINK TIMING REQUIREMENTS



Symbol	Description	Value	Unit
t_B	Minimum duration blanking period required to ensure character boundary recovery at the receiver. Blanking periods of this duration must occur at least once every 50mS (20Hz).	128	T_{pixel}
t_E	Maximum encoding/serializer pipeline delay.	64	T_{pixel}
t_R	Maximum recovery/de-serializer pipeline delay. Recovery timing includes inter-channel skew, and is measured from the earliest DE transition among the data channels.	64	T_{pixel}

Note: The DVI link timing requirements are specified in the DVI specification of DDWG.

7. TIMING REQUIREMENTS OF IMAGE SIGNAL

7.1 INPUT SIGNAL TIMING SPECIFICATIONS

The input signal timing specifications are shown as the following table and timing diagram.

Signal (60Hz)	Item	Symbol	Min.	Typ.	Max.	Unit	Note
DVI Receiver Clock (Single DVI)	Frequency	1/Tc	100	127	TBD	MHz	(4)
Vertical Active Display Term (Dual DVI, 1920x 2160 Active Area)	Frame Rate	Fr6	57	60	TBD	Hz	(2)(7)
	Total	Tv	2164	2164	TBD	Th	Tv=Tvd+Tvb
	Display	Tvd	-	2160	-	Th	
	Blank	Tvb	4	4	TBD	Th	
Horizontal Active Display Term (Dual DVI, 1920x 2160 Active Area)	Total	Th	1960	1960	TBD	Tc	Th=Thd+Thb
	Display	Thd	-	1920	-	Tc	
	Blank	Thb	40	40	TBD	Tc	

Signal (50Hz/48Hz)	Item	Symbol	Min.	Typ.	Max.	Unit	Note
DVI Receiver Clock (Single DVI)	Frequency	1/Tc	100	127	TBD	MHz	(5)
Vertical Active Display Term (Dual DVI, 1920x 2160 Active Area)	Frame Rate	Fr5	45	50	53	Hz	(3)(7)
		Fr48	45	48	51	Hz	
	Total	Tv	2164	2330	TBD	Th	Tv=Tvd+Tvb
	Display	Tvd	-	2160	-	Th	
	Blank	Tvb	4	170	TBD	Th	
Horizontal Active Display Term (Dual DVI, 1920x 2160 Active Area)	Total	Th	1960	2180	TBD	Tc	Th=Thd+Thb
	Display	Thd	-	1920	-	Tc	
	Blank	Thb	40	260	TBD	Tc	

Signal (30Hz)	Item	Symbol	Min.	Typ.	Max.	Unit	Note
DVI Receiver Clock (Single DVI)	Frequency	1/Tc	83	83	TBD	MHz	(6)
Vertical Active Display Term (Dual DVI, 1920x 2160 Active Area)	Frame Rate	Fr3	30	30	33	Hz	
	Total	Tv	TBD	2330	TBD	Th	Tv=Tvd+Tvb
	Display	Tvd	-	2160	-	Th	
	Blank	Tvb	TBD	170	TBD	Th	
Horizontal Active Display Term (Dual DVI, 1920x 2160 Active Area)	Total	Th	TBD	2380	TBD	Tc	Th=Thd+Thb
	Display	Thd	-	1920	-	Tc	
	Blank	Thb	TBD	460	TBD	Tc	

Note: (1) Since this module is only operated in DE mode, Hsync and Vsync input signals should be set to low logic level. Otherwise, this module would operate abnormally.

(2) (ODSEL) = (L). Please refer to Section 6.2 for detail information.

(3) (ODSEL) = (H). Please refer to Section 6.2 for detail information.

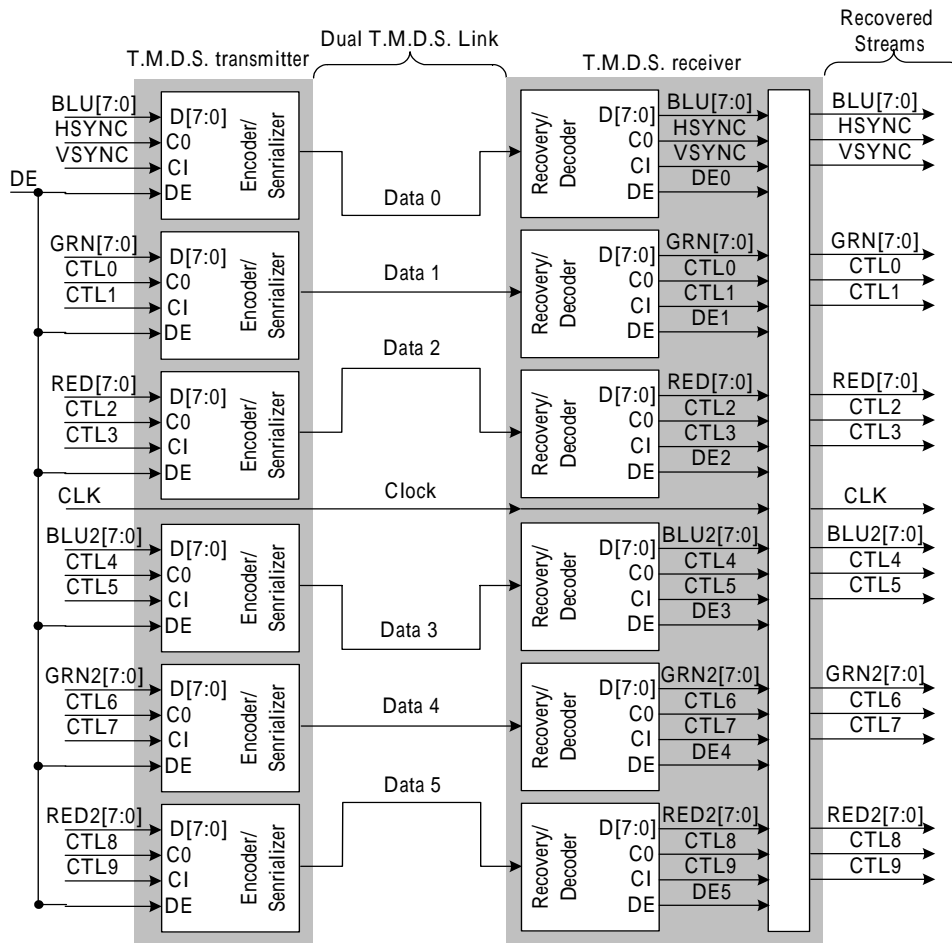
(4) The value of Typ. is based on 60Hz operation.

(5) The value of Typ. is based on 50Hz operation.

(6) The value of Typ. is based on 30Hz operation.

(7) Overdrive function (ODSEL) is only available while the frame rate is 50Hz or 60Hz.

(8) Overdrive function is used to optimize the quality of motion picture.



Note: The dual link T.M.D.S. channel map is specified in the DVI specification of DDWG.

7.2 EXTENDED DISPLAY IDENTIFICATION DADA (EDID) STRUCTURE

Address	No. bytes		Description	Address	No. bytes		Description
00h	8	Bytes	Header	1Ch		1	Red -y
00h		1	00h	1Dh		1	Green -x
01h		1	FFh	1Eh		1	Green -y
02h		1	FFh	1Fh		1	Blue -x
03h		1	FFh	20h		1	Blue -y
04h		1	FFh	21h		1	White -x
05h		1	FFh	22h		1	White -y
06h		1	FFh	23h	3	Bytes	Established Timings
07h		1	00h	23h		1	Established Timings 1
08h	10	Bytes	Vender/Product Identification	24h		1	Established Timings 2
08h		2	ID Manufacturer Name	25h		1	Manufacturers Reserved Timings
0Ah		2	ID Product Code	26h	16	Bytes	Standard Timing Identification
0Ch		4	ID Serial Number	26h		2	Standard Timing Identification #1
10h		1	Week of Manufacture	28h		2	Standard Timing Identification #2
11h		1	Year of Manufacture	2Ah		2	Standard Timing Identification #3
12h	2	Bytes	EDID Structure Version/Revision	2Ch		2	Standard Timing Identification #4
12h		1	Version #	2Eh		2	Standard Timing Identification #5
13h		1	Revision #	30h		2	Standard Timing Identification #6
14h	5	Bytes	Basic Display Parameters/Features	32h		2	Standard Timing Identification #7
14h		1	Video Input Definition	34h		2	Standard Timing Identification #8
15h		1	Max.Horizontal Image Size	36h	72	Bytes	Detailed Timing Descriptions
16h		1	Max.Vertical Image Size	36h		18	Detailed Timing Description #1 or Monitor Descriptor.
17h		1	Display Transfer Characteristic (Gamma)	48h		18	Detailed Timing Description #2 or Monitor Descriptor.
18h		1	Feature Support	5Ah		18	Detailed Timing Description #3 or Monitor Descriptor.
19h	10	Bytes	Color Characteristics	6Ch		18	Detailed Timing Description #4 or Monitor Descriptor.
19h		1	Red / Green Low Bits	7Eh	1	Byte	Extension Flag
1Ah		1	Blue / White Low Bits	7Fh	1	Byte	Checksum
1Bh		1	Red -x				

Note: The EDID structure is specified in the EDID standard of VESA.

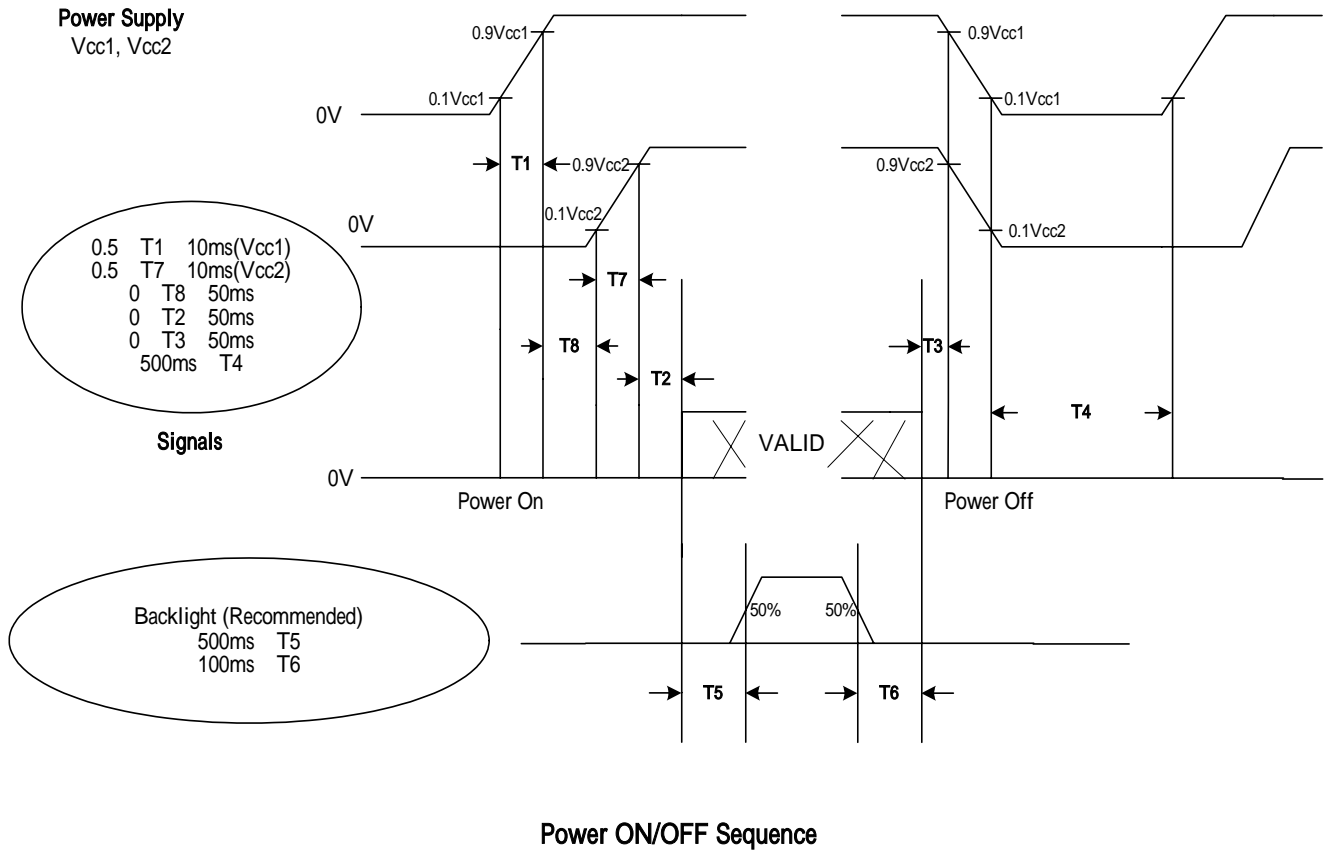
7.3 EXTENDED DISPLAY IDENTIFICATION DADA (EDID) CODE

ADDR	0	1	2	3	4	5	6	7 - 8	9	A	B	C	D	E	F
000000	00	FF	FF	FF	FF	FF	FF	00 - 3A	C4	10	A0	64	00	00	00
000010	31	0F	01	03	80	34	21	78 - EE	EE	50	A3	54	4C	9B	26
000020	0F	50	54	00	00	00	01	01 - 01	01	01	01	01	01	01	01
000030	01	01	01	01	01	01	69	63 - 80	28	70	70	04	80	10	10
000040	11	00	54	30	34	00	00	18 - 35	63	80	04	71	70	AA	80
000050	0D	0D	8A	00	54	30	34	00 - 00	18	3D	5F	80	04	71	70
000060	AA	80	0D	0D	8A	00	54	30 - 34	00	00	18	FC	40	80	CC
000070	71	70	AA	80	0D	0D	8A	00 - 54	30	34	00	00	18	00	56

Note: The EDID code implies 30Hz, 48Hz, 50Hz and 60Hz.

7.4 POWER ON/OFF SEQUENCE

To prevent a latch-up or DC operation of LCD module, the power on/off sequence should be followed as the diagram below.



- Note :
- (1) The supplied voltage of the external system for the module input should follow the definition of Vcc1,2.
 - (2) Apply the lamp voltage within the LCD operation range. When the backlight turns on before the LCD operation or the LCD turns off before the backlight turns off, the display may momentarily become abnormal screen.
 - (3) In case of Vcc1,2 is in off level, please keep the level of input signals on the low and avoid floating.
 - (4) T4 should be measured after the module being fully discharged between power off and on period.
 - (5) Interface signal shall not be kept at high impedance when the power is on.

8. OPTICAL CHARACTERISTICS

8.1 TEST CONDITIONS

Item	Symbol	Value	Unit
Ambient Temperature	Ta	25±2	°C
Ambient Humidity	Ha	50±10	%RH
Supply Voltage	V _{CC}	5.0	V
Input Signal	According to typical value in "3. ELECTRICAL CHARACTERISTICS"		
Lamp Current	I _L	5.7±0.5	mA
Oscillating Frequency (Inverter)	F _L	50±3	KHz
Frame Rate	F _r	60	Hz

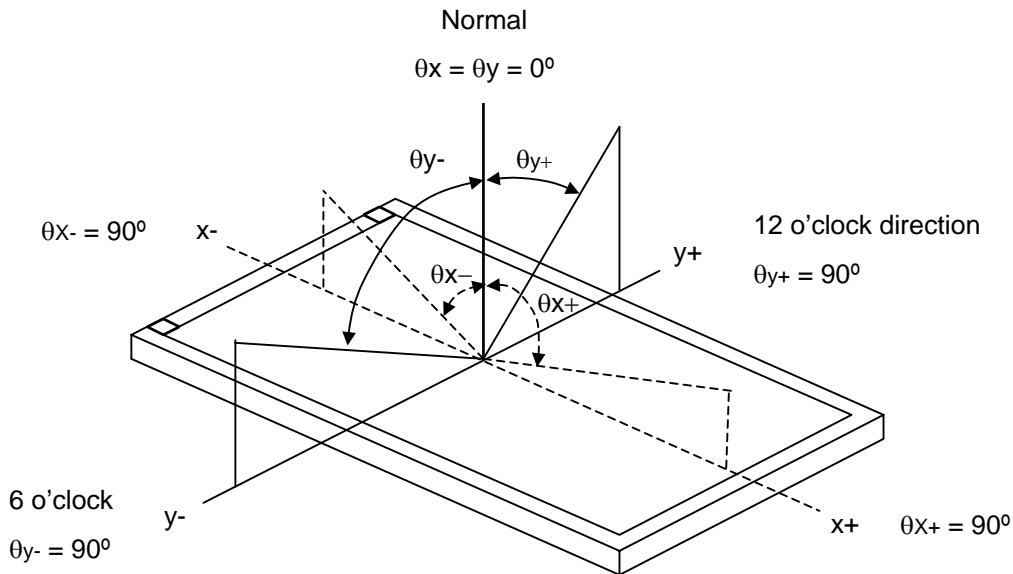
8.2 OPTICAL SPECIFICATIONS

The relative measurement methods of optical characteristics are shown in 8.2 Notes. The following items should be measured under the test conditions described in 8.1 and stable environment shown in Note (6).

Item		Symbol	Condition	Min.	Typ.	Max.	Unit	Note	
Contrast Ratio		CR	$\theta_x=0^\circ, \theta_y=0^\circ$ Viewing angle at normal direction	900	1200		-	Note (2)	
Response Time		Gray to gray			6.5		ms	Note (3)	
Center Luminance of White		L _C		450	500		cd/m ²	Note (4)	
Average Luminance of White		L _{AVE}		400	450	-	cd/m ²	Note (4)	
White Variation		δW				1.6	-	Note (7)	
Cross Talk		CT				4	%	Note (5)	
Color Chromaticity	Red	Rx		Viewing angle at normal direction	Typ. -0.03	0.651	Typ. +0.03	-	Note (6)
		Ry				0.332		-	
	Green	Gx				0.269		-	
		Gy				0.593		-	
	Blue	Bx	0.144			-			
		By	0.060			-			
	White	Wx	0.285			-			
		Wy	0.293			-			
Color Gamut		C.G	72	75		%	NTSC		
Viewing Angle	Horizontal	θ_{x+}	CR≥30	80	88		Deg.	Note (1)	
		θ_{x-}		80	88				
	Vertical	θ_{y+}		80	88				
		θ_{y-}		80	88				

Note (1) Definition of Viewing Angle (θ_x, θ_y):

Viewing angles are measured by Eldim EZ-Contrast 160R



Note (2) Definition of Contrast Ratio (CR):

The contrast ratio can be calculated by the following expression.

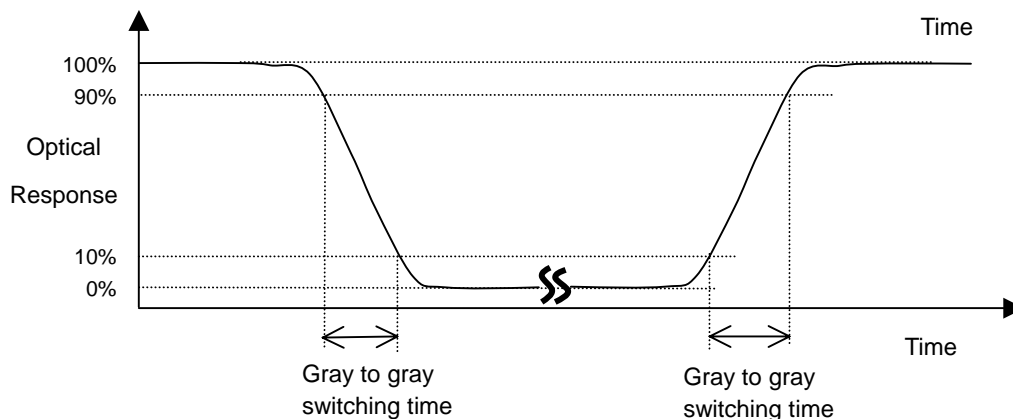
$$\text{Contrast Ratio (CR)} = L_{255} / L_0$$

L255: Luminance of gray level 255

L 0: Luminance of gray level 0

CR = CR (7), where CR (X) is corresponding to the Contrast Ratio of the point X at the figure in Note (7).

Note (3) Definition of Gray to Gray Switching Time:



The driving signal means the signal of gray level 0, 63, 127, 191, 255.

Gray to gray average time means the average switching time of gray level 0, 63, 127, 191, 255 to each other.

Note (4) Definition of Luminance of White (L_C , L_{AVE}):

Measure the luminance of gray level 255 at center point and 5 points

$$L_C = L(7)$$

$$L_{AVE} = [L(4) + L(5) + L(7) + L(9) + L(10)] / 5$$

Where $L(x)$ is corresponding to the luminance of the point X at the figure in Note (7).

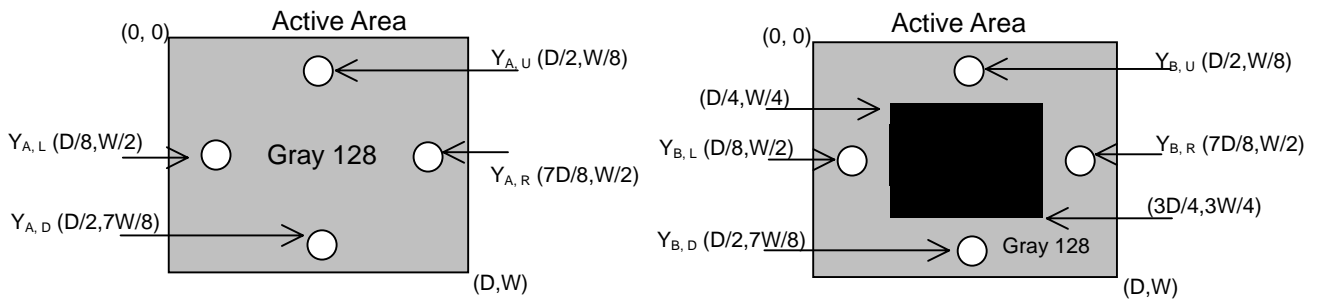
Note (5) Definition of Cross Talk (CT):

$$CT = |Y_B - Y_A| / Y_A \times 100 (\%)$$

Where:

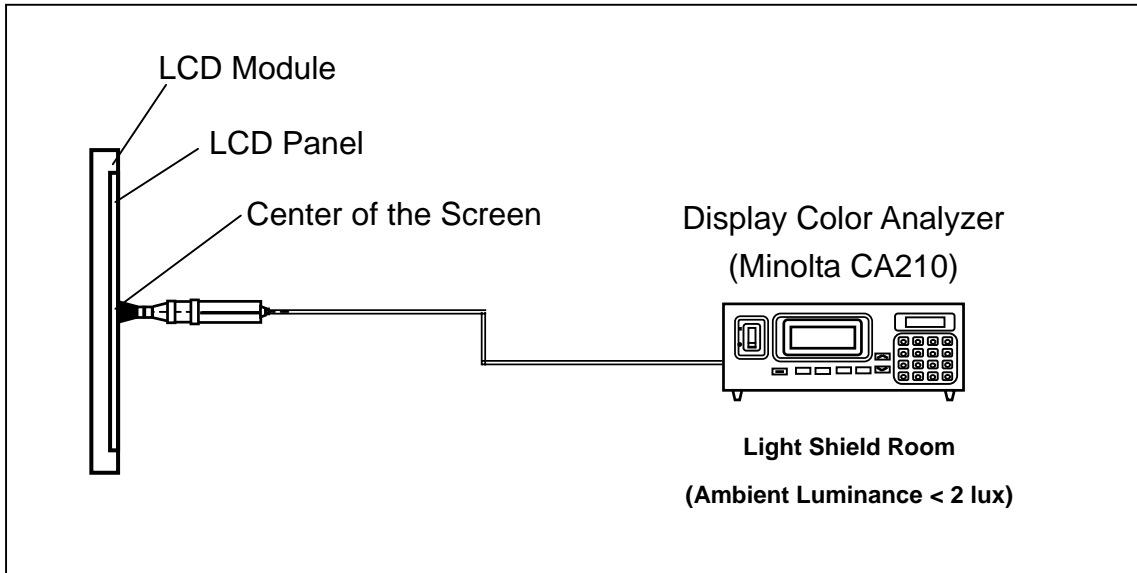
Y_A = Luminance of measured location without gray level 0 pattern (cd/m^2)

Y_B = Luminance of measured location with gray level 0 pattern (cd/m^2)



Note (6) Measurement Setup:

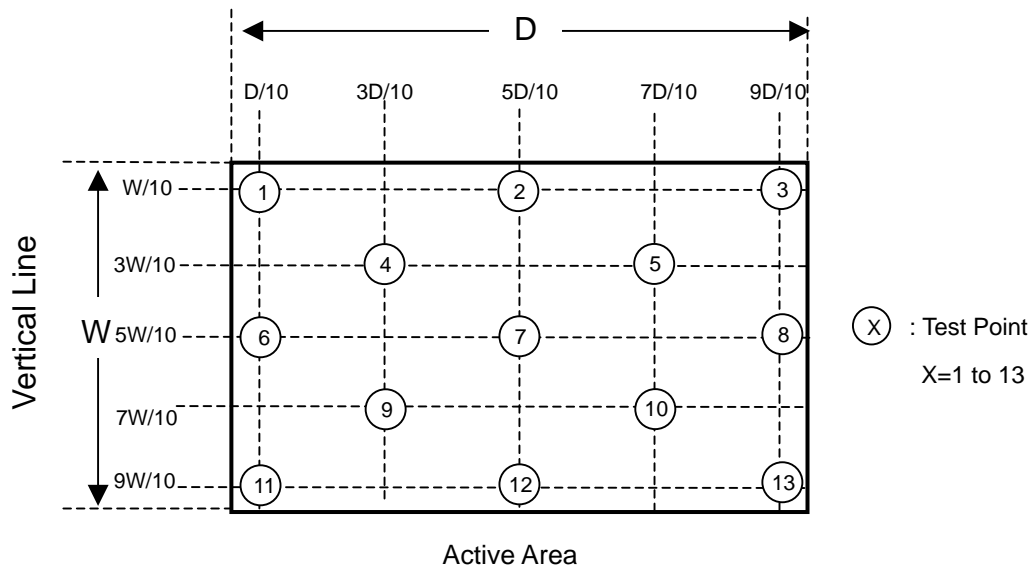
The LCD module should be stabilized at given temperature for 1 hour to avoid abrupt temperature change during measuring. In order to stabilize the luminance, the measurement should be executed after lighting backlight for 1 hour in a windless room.



Note (7) Definition of White Variation (δW):

Measure the luminance of gray level 255 at 13 points

$$\delta W = \text{Maximum [L (1), L (2), L (3), L (4), \dots, L (13)]} / \text{Minimum [L (1), L (2), L (3), L (4), \dots, L (13)]}$$



9. PRECAUTIONS

9.1 ASSEMBLY AND HANDLING PRECAUTIONS

- (1) Do not apply rough force such as bending or twisting to the module during assembly.
- (2) It is recommended to assemble or to install a module into the user's system in clean working areas. The dust and oil may cause electrical short or worsen the polarizer.
- (3) Do not apply pressure or impulse to the module to prevent the damage of LCD panel and Backlight.
- (4) Always follow the correct power-on sequence when the LCD module is turned on. This can prevent the damage and latch-up of the CMOS LSI chips.
- (5) Do not plug in or pull out the I/F connector while the module is in operation.
- (6) Do not disassemble the module.
- (7) Use a soft dry cloth without chemicals for cleaning, because the surface of polarizer is very soft and easily scratched.
- (8) Moisture can easily penetrate into LCD module and may cause the damage during operation.
- (9) When storing modules as spares for a long time, the following precaution is necessary.
 - a. Do not leave the module in high temperature, and high humidity for a long time. It is highly recommended to store the module with temperature from 0 to 35 at normal humidity without condensation.
 - b. The module shall be stored in dark place. Do not store the TFT-LCD module in direct sunlight or fluorescent light.
- (10) When ambient temperature is lower than 10°C, the display quality might be reduced. For example, the response time will become slow, and the starting voltage of CCFL will be higher than that of room temperature.

9.2 SAFETY PRECAUTIONS

- (1) The startup voltage of a Backlight is approximately 1000 Volts. It may cause an electrical shock while assembling with the inverter. Do not disassemble the module or insert anything into the Backlight unit.
- (2) If the liquid crystal material leaks from the panel, it should be kept away from the eyes or mouth. In case of contact with hands, skin or clothes, it has to be washed away thoroughly with soap.
- (3) After the module's end of life, it is not harmful in case of normal operation and storage.

9.3 SAFETY STANDARDS

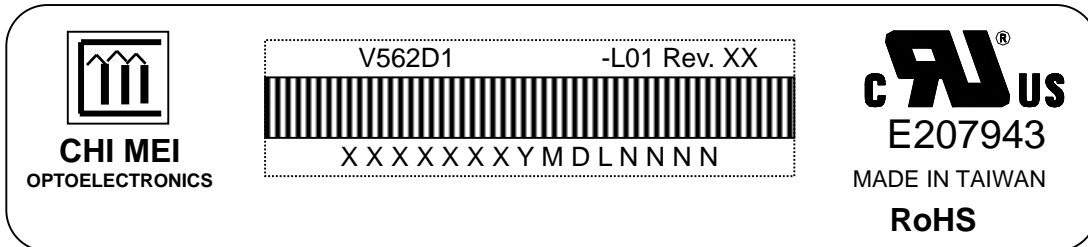
The LCD module should be certified with safety regulations as follows:

- (1) UL60950-1 or updated standard.
- (2) IEC60950-1 or updated standard.
- (3) UL60065 or updated standard.
- (4) IEC60065 or updated standard.

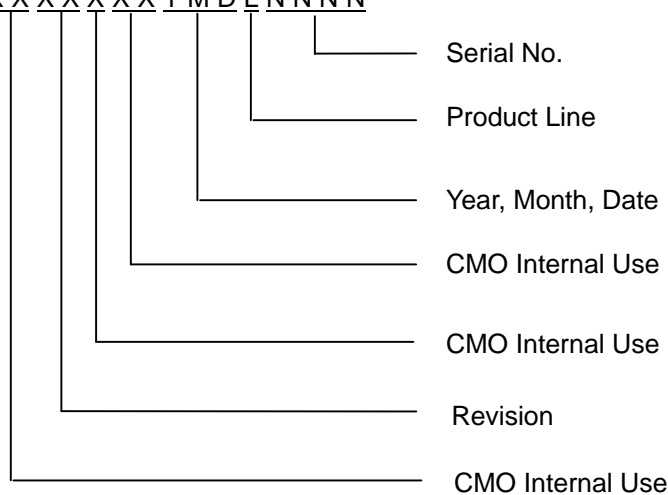
10. DEFINITION OF LABELS

10.1 CMO MODULE LABEL

The barcode nameplate is pasted on each module as illustration, and its definitions are as following explanation.



- (a) Model Name: V562D1-L01
- (b) Revision: Rev. XX, for example: A0, A1... B1, B2... or C1, C2...etc.
- (c) Serial ID: X X X X X X Y M D L N N N N



Serial ID includes the information as below:

- (a) Manufactured Date: Year: 0~9, for 2000~2009
Month: 1~9, A~C, for Jan. ~ Dec.
Day: 1~9, A~Y, for 1st to 31st, exclude I, O, and U.
- (b) Revision Code: Cover all the change
- (c) Serial No.: Manufacturing sequence of product
- (d) Product Line: 1 -> Line1, 2 -> Line 2, ...etc.

11. PACKAGE

11.1 PACKING SPECIFICATIONS

- (1) 2 LCD TV modules / 1 Box
- (2) Box dimensions: 1448(L) X 372 (W) X 901 (H)
- (3) Weight: approximately 56Kg (2 modules per box)
- (4) One protective film is attached on the LCD TV

11.2 PACKING METHOD

Figures 9-1 and 9-2 are the packing method

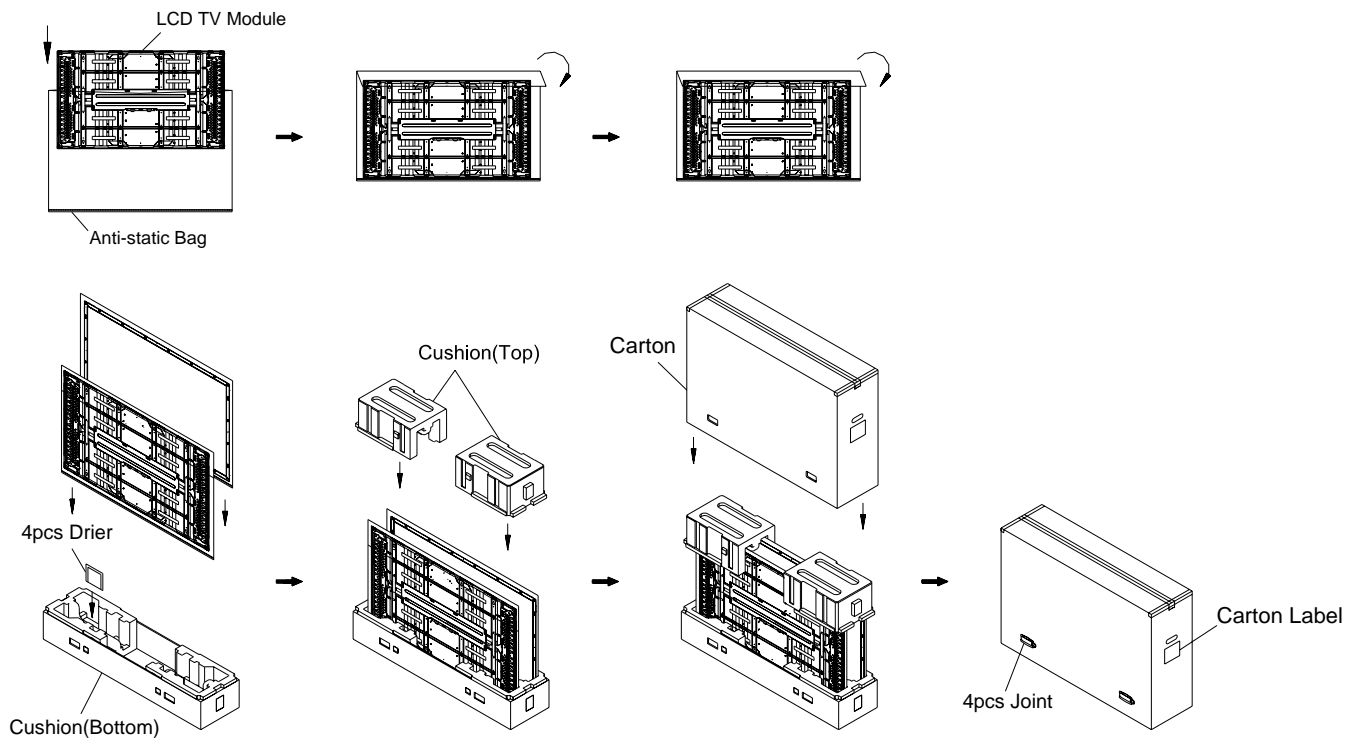
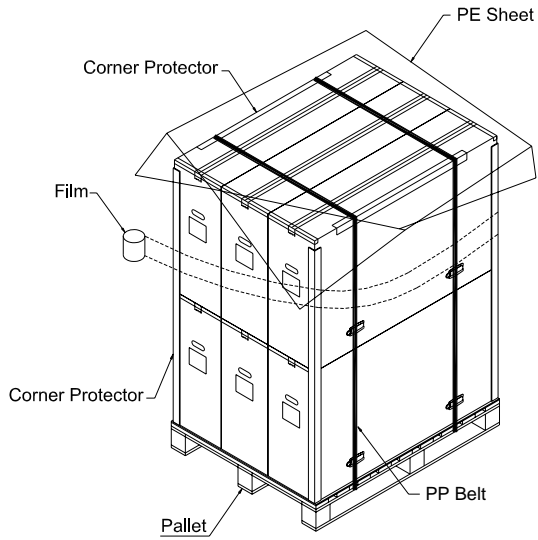


Figure.9-1 packing method

Sea Transportation

Corner Protector:L1780*50mm*50mm
 Corner Protector:L1130*50mm*50mm
 Pallet:L1150*W1460*H140mm
 Pallet Stack:L1150*W1460*H1942mm
 Gross:353kg



Air Transportation

Corner Protector:L800*50mm*50mm
 Corner Protector:L1130*50mm*50mm
 Pallet:L1150*W1460*H140mm
 Pallet Stack:L1150*W1460*H1041mm
 Gross:185kg

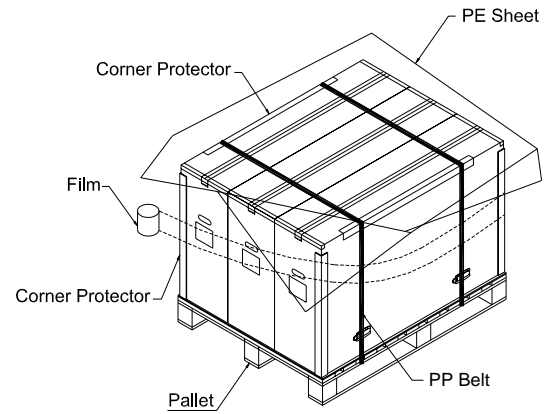


Figure. 9-2 Packing method

