



MODEL NO. : TM121SCS01

ISSUED DATE: 2012/10/10

VERSION : 1.3

- Preliminary Specification
- Final Product Specification

Customer :

| Approved by | Notes |
|-------------|-------|
| | |

SHANGHAI AVIC Confirmed :

| Prepared by | Checked by | Approved by |
|-----------------------|------------|--------------------------|
| Ye Chen 2012/10/10 | _____ | Hyman Chen 2012/10/10 |

This technical specification is subjected to change without notice

The information contained herein is the exclusive property of SHANGHAI AVIC OPTOELECTRONICS Corporation, and shall not be distributed, reproduced, or disclosed in whole or in part without prior written permission of SHANGHAI AVIC OPTOELECTRONICS Corporation.



TABLE OF CONTENTS

| | |
|---|----|
| TABLE OF CONTENTS..... | 2 |
| RECORD OF REVISION..... | 3 |
| 1. OUTLINE..... | 4 |
| 1.1 STRUCTURE AND PRINCIPLE..... | 4 |
| 1.2 APPLICATIONS..... | 4 |
| 1.3 FEATURES..... | 4 |
| 2. GENERAL SPECIFICATIONS..... | 5 |
| 3. ABSOLUTE MAXIMUM RATINGS..... | 6 |
| 4. BLOCK DIAGRAM..... | 7 |
| 5. MECHANICAL SPECIFICATIONS..... | 8 |
| 6. ELECTRICAL CHARACTERISTICS..... | 9 |
| 6.1 DRIVING FOR LCD..... | 9 |
| 6.2 DRIVING FOR BACKLIGHT..... | 10 |
| 7. CONNECTIONS AND FUNCTIONS FOR INTERFACE PINS..... | 11 |
| 7.1 LVDS..... | 11 |
| 7.2 BACKLIGHT..... | 12 |
| 7.3 POSITION OF PLUGS AND A SOCKET..... | 12 |
| 7.4 CONNECTION BETWEEN RECEIVER AND TRANSMITTER FOR LVDS..... | 13 |
| 8. DISPLAY COLORS AND INPUT DATA SIGNALS..... | 14 |
| 9. INTERFACE TIMING..... | 15 |
| 9.1 TIMING CHARACTERISTICS..... | 15 |
| 9.2 INPUT SIGNAL TIMING CHART..... | 16 |
| 9.3 PIXEL DATA ALIGNMENT OF DISPLAY IMAGE..... | 17 |
| 9.4. POWER SUPPLY VOLTAGE SEQUENCE..... | 18 |
| 10. OPTICS..... | 20 |
| 11. MARKINGS..... | 23 |
| 11.1 PRODUCT LABEL..... | 23 |
| 11.2 INDICATION LOCATIONS..... | 24 |
| 12. PACKING, TRANSPORTATION AND DELIVERY..... | 25 |
| 13. PRECAUTIONS..... | 27 |
| 14. OUTDRAWING..... | 30 |



RECORD OF REVISION

| Rev | Issued Date | Description | Editor |
|-----|-------------|------------------------------------|------------|
| 1.0 | 2011-03-22 | Preliminary Release | Wei Zhang |
| 1.1 | 2011-8-22 | Modify the INTERFACE PINS | Hyman Chen |
| 1.2 | 2012-2-10 | Final Release | Hyman Chen |
| 1.3 | 2012-10-10 | Modify the Optical characteristics | Hyman Chen |
| | | | |
| | | | |
| | | | |



1. OUTLINE

1.1 STRUCTURE AND PRINCIPLE

TM121SCS01 module is composed of the amorphous silicon thin film transistor liquid crystal display (a-Si TFT LCD) panel structure with driver LSIs for driving the TFT (Thin Film Transistor) array and a backlight. The a-Si TFT LCD panel structure is injected liquid crystal material into a narrow gap between the TFT array glass substrate and a color-filter glass substrate.

Color (Red, Green, Blue) data signals from a host system (e.g. PC, signal generator, etc.) are modulated into best form for active matrix system by a signal processing board, and sent to the driver LSIs which drive the individual TFT arrays. The TFT array as an electro-optical switch regulates the amount of transmitted light from the backlight assembly, when it is controlled by data signals. Color images are created by regulating the amount of transmitted light through the TFT array of red, green and blue dots.

1.2 APPLICATIONS

- Monitor for industrial display

1.3 FEATURES

- a-Si TFT active matrix
- LVDS interface
- R.G.B input 8bit, 16.2 millions colors
- Resolution SVGA (800× 600 pixels)
- Wide viewing angle 70°/70° (L/R); 50°/60° (U/D)
- Contrast ratio 600 :1
- Module size 279.0 (H) ×209.0 (V) ×11.0 (D) mm
- Fast response time (Ton+ Toff= 35 ms)
- Color gamut (55%)
- Edge light type backlight (2 CCFL Lamps)
- Inverter less
- RoHS compliance
- TCO 5.0 compliance



2. GENERAL SPECIFICATIONS

| | |
|--------------------------|--|
| Display area | 246.0 (H) × 184.5 (V) mm (typ.) |
| Diagonal size of display | 30.7 cm (12.1 inches) |
| Drive system | a-Si TFT active matrix |
| Display color | 16.2 M colors |
| Pixel | 800 (H) × 600(V) pixels |
| Pixel arrangement | RGB vertical stripe |
| Pixel pitch | 0.3075 (H) × 0.3075 (V) mm |
| Module size | 279.0 (H) × 209.0 (V) × 11.0 (D) mm |
| Contrast ratio | 600 :1 (typ.) |
| Viewing angle | 140°/ 110° (typ.) |
| Color gamut | 55 % (typ.) |
| Response time | 35 ms (typ.) |
| Luminance | 400 cd/m ² (typ.) |
| Transmissive Mode | Normally White |
| Surface Treatment | Anti Glare |
| Signal system | LVDS 1port |
| Power supply voltage | LCD panel signal processing board: 3.3 V |
| Backlight | 2 CCFL |
| Power consumption | 6.8 W (typ) |



3. ABSOLUTE MAXIMUM RATINGS

| Parameter | | Symbol | Rating | Unit | Remarks |
|----------------------------|---------------|------------------|--------------------------------------|------------------|----------------------------|
| Power supply voltage | Power voltage | VDD | -0.3 ~ +3.6 | V | Ta = 25°C |
| | Lamp voltage | V _{BLH} | 770 ~ 930 | Vrms | Ta = 25°C |
| Input voltage for signals | | V _i | -0.3 ~ +3.6 and Vi < VDD + 0.3 | V | Ta = 25°C |
| Lamp current | | I _{BL} | 3.0~6.5 | mArms | Ta = 25°C For each lamp |
| Lamp Oscillation frequency | | FO | 40~60 | kHz | Ta = 25°C |
| Storage temperature | | T _{st} | -30 ~ +80 | °C | Note 3 |
| Operating temperature | | Top | -20 ~ +70 | °C | Note 3, 4 |
| Absolute humidity | | AH | ≤ 70 | g/m ³ | Ta > 50°C |
| Operating altitude | | - | ≤ 4,850 | m | -20°C ≤ Ta ≤ 70°C |
| Storage altitude | | - | ≤ 13,600 | m | -30°C ≤ Ta ≤ 80°C |

Note1: Display signals are DA0+/-, DA1+/-, DA2+/-, DA3+/-, CKA+/-, DB0+/-, DB1+/-, DB2+/-, DB3+/-, and CKB+/-.

Note2: Function signal is MSL.

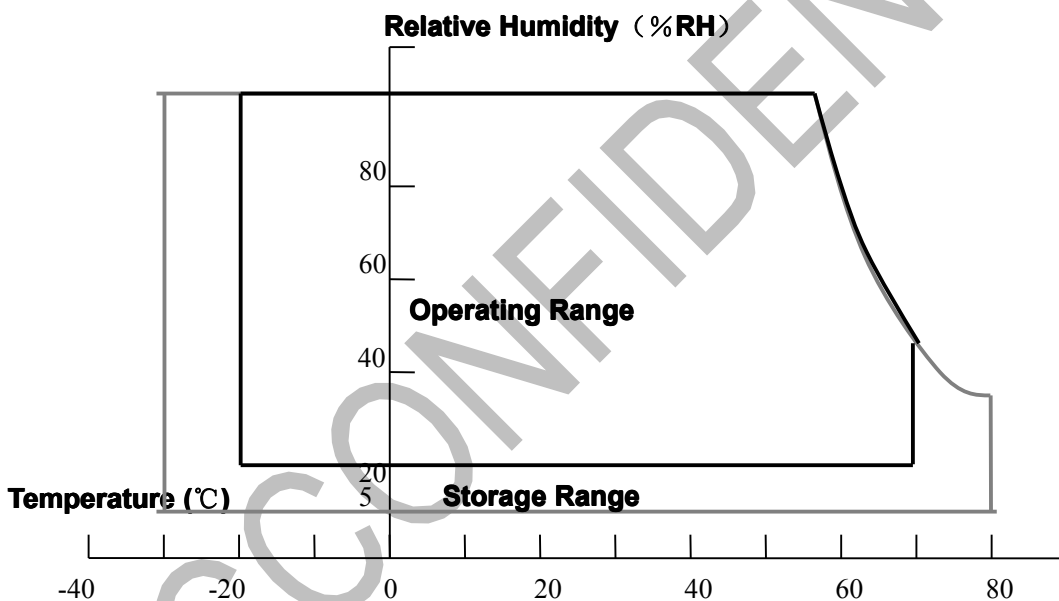
Note3: Temperature and relative humidity range is shown in the figure below.

(a) 90%RH Max. (Ta ≤ 40°C)

(b) Wet-bulb temperature should be 39°C Max. (Ta > 40°C)

(c) No condensation.

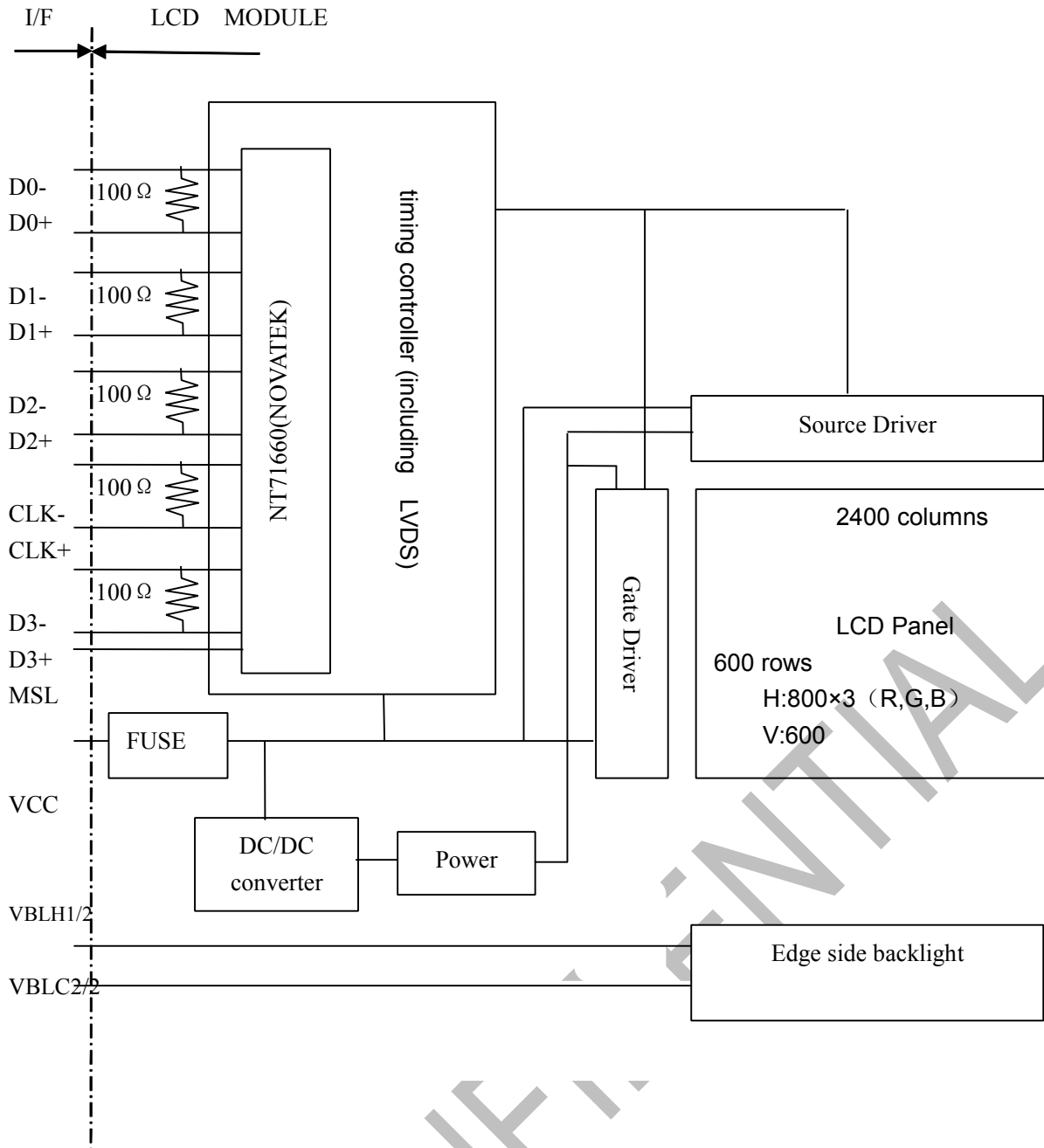
Note4: The temperature of panel display surface area should be 0°C Min and 60°C Max.



The information contained herein is the exclusive property of SHANGHAI AVIC OPTOELECTRONICS Corporation, and shall not be distributed, reproduced, or disclosed in whole or in part without prior written permission of SHANGHAI AVIC OPTOELECTRONICS Corporation.



4. BLOCK DIAGRAM



Note: System ground (GND), FG (Frame ground) in the product should be connected together in customer equipment.



5. MECHANICAL SPECIFICATIONS

| Parameter | Specification | Unit |
|--------------|--|------|
| Module size | 279.0± 0.5 (W) × 209.0 ± 0.5 (H) × 11.0 (D) | mm |
| Display area | 246.0(H) × 184.5(V) mm (typ.), [30.75 cm (12.1 inches)] | mm |
| Weight | 425 | g |



6. ELECTRICAL CHARACTERISTICS

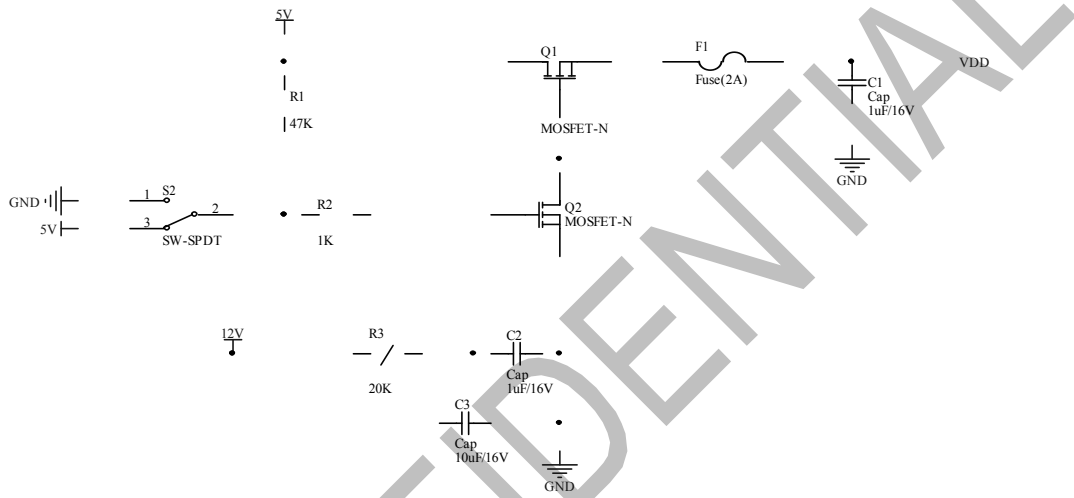
6.1 DRIVING FOR LCD

| Parameter | Symbol | min. | typ. | max. | Unit | Remarks |
|--|-------------------|------|------|---------------|------|----------------------|
| Power supply voltage | VDD | 3.0 | 3.3 | 3.6 | V | - |
| Power supply current | IDD | - | 270 | 325 Note 1 | mA | at VDD = 3.3V |
| Permissible ripple voltage | VRP | - | - | 100 | mV | VDD |
| Differential input voltage | Vid | 250 | | 450 | mV | |
| Differential input threshold voltage for LVDS receiver | Low | VTL | -100 | - | - | VCM = 1.25V Note2 |
| | High | VTH | - | - | 100 | |
| Input voltage width for LVDS receiver | Vi | 0 | - | 2.4 | V | - |
| Terminating resistor | RT | - | 100 | - | Ω | - |
| Rush current | I _{rush} | - | - | 1.5 | A | Note3 |

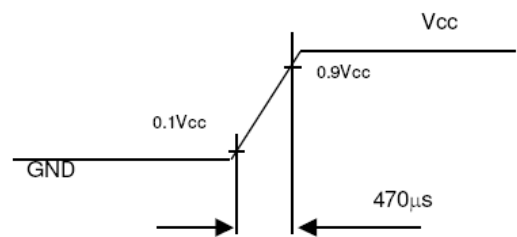
Note 1: All black pattern

Note 2: Common mode voltage for LVDS receiver

Note 3: Measurement Conditions:



Vcc rising time is 470µs



The information contained herein is the exclusive property of SHANGHAI AVIC OPTOELECTRONICS Corporation, and shall not be distributed, reproduced, or disclosed in whole or in part without prior written permission of SHANGHAI AVIC OPTOELECTRONICS Corporation.



6.2 DRIVING FOR BACKLIGHT

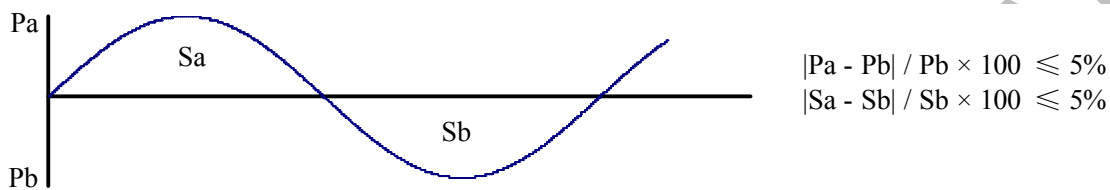
(Ta=25°C) Note1

| Parameter | Symbol | min. | typ. | max. | Unit | Remarks |
|------------------------------|------------------|------|-------|------|-------|----------------------|
| Lamp voltage (for reference) | V _{BLH} | - | 770 | - | Vrms | For each lamp |
| Lamp current | I _{BL} | - | 6.0 | - | mArms | at L = 400cd/ m2 |
| Lamp starting voltage Note1 | VS | - | - | 1120 | Vrms | Ta = 0°C Note2 Note3 |
| | | - | - | 930 | | Ta =25°C Note2 Note3 |
| Lamp operating lifetime | Hr | - | 50000 | - | Hour | Note5 |
| Oscillation frequency | FO | 40 | 55 | 60 | kHz | Note4 |

Note1: The backlight of this product is made up of 2 lamps. The specification above is only for one lamp.

Note2: The voltage timing cycle of each lamp should be set as the same phase. [Vs] and [VBLH] is the voltage between the high port and low port, the value is the characteristic of lamp. The starting voltage of inverter should be higher than the value. The possibility of not lighting exists by the lower voltage, so the suitable voltage should considered by the test.

Note3: The asymmetric ratio of working waveform for lamps (Lamp voltage peak ratio, Lamp current peak ratio and waveform area ratio) should be less than 5% (See the following figure). If the waveform is asymmetric, DC (Direct current) element applies into the lamp. In this case, a lamp lifetime may be shortened, because a distribution of a lamp enclosure substance inclines toward one side between low voltage terminal (Cold terminal) and high voltage terminal (Hot terminal).



Pa: Supply voltage/current peak for positive, Pb: Supply voltage/current peak for negative
Sa: Waveform space for positive part, Sb: Waveform space for negative part

Note4: In case "FO" is not the recommended value, beat noise may display on the screen, because of interference between "FO" and "1/th". Recommended value of "FO" is as following.

FO = 1/4 x 1/th x (2n-1)

Th: Horizontal signal period(See "9.0Timing characteristics".)

n: Natural number (1, 2, 3)

Note5: Lamp operating lifetime is mean time to half-luminance. In case the product works under room temperature environment.



7. CONNECTIONS AND FUNCTIONS FOR INTERFACE PINS

7.1 LVDS

CN1: MSB240420HE (Produced by STM) or equivalent.

| Pin | Name | Description |
|-----|------------|---|
| 1 | VDD | 3.3V Power Supply |
| 2 | VDD | 3.3V Power Supply |
| 3 | GND | Ground |
| 4 | 6-8Bit SEL | Select 6 or 8 Bits LVDS Input (VCC:8Bits ; GND/NC: 6Bits) |
| 5 | RIN0- | Negative(-) LVDS differential data input |
| 6 | RIN0+ | Positive(+) LVDS differential data input |
| 7 | GND | Ground |
| 8 | RIN1- | Negative(-) LVDS differential data input |
| 9 | RIN1+ | Positive(+) LVDS differential data input |
| 10 | GND | Ground |
| 11 | RIN2- | Negative(-) LVDS differential data input |
| 12 | RIN2+ | Positive(+) LVDS differential data input |
| 13 | GND | Ground |
| 14 | CLKIN- | Clock Signal(-) |
| 15 | CLKIN+ | Clock Signal(+) |
| 16 | GND | Ground |
| 17 | RIN3- | Negative(-) LVDS differential data input (Used for 8Bits LVDS Input; NC for 6Bits) |
| 18 | RIN3+ | Positive(+) LVDS differential data input (Used for 8Bits LVDS Input; NC for 6Bits) |
| 19 | REVERSE | Display Reversed Function (VCC: Display Reverse; GND/NC: Normal Display) |
| 20 | NC/GND | Test Function Pin(Do not set this pin to High) |



7.2 BACKLIGHT

CN201: BHSR-02VS-1/Locking

Adaptable connector: SM02B-BHSS-1-TB

| Pin No. | Signal name | Function |
|---------|-------------|--|
| 1 | VH1 | High voltage input terminal for upper lamp (Cable color: Blue) |
| 2 | VL1 | Low voltage input terminal for upper lamp (Cable color: Black) |

CN202: BHSR-02VS-1 /Locking

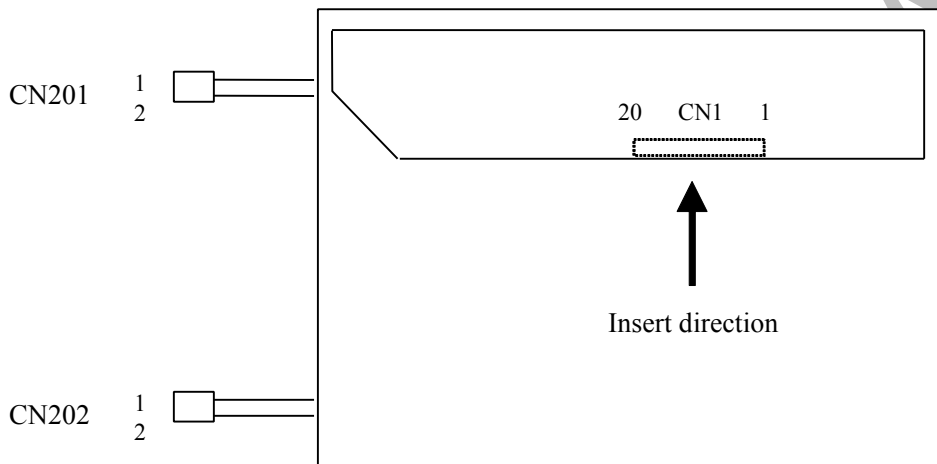
Adaptable connector: SM02B-BHSS-1-TB

| Pin No. | Signal name | Function |
|---------|-------------|--|
| 1 | VH2 | High voltage input terminal for upper lamp (Cable color: Pink) |
| 2 | VL2 | Low voltage input terminal for upper lamp (Cable color: White) |

Note1: The ports of VDD and GND should be all used. As for the input of LVDS, please use the twisted pair wire of the transmission impedance 100Ω.

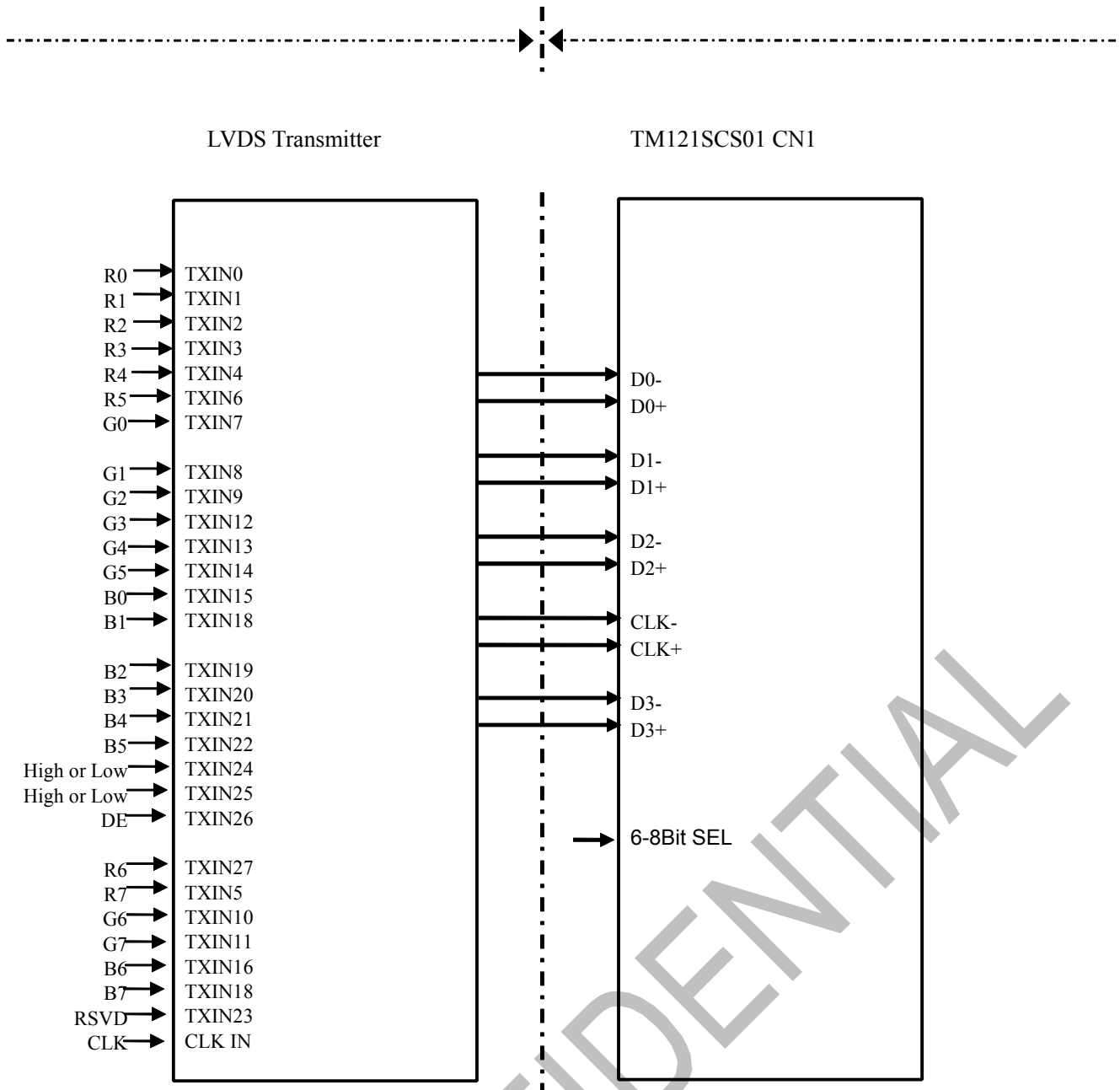
Note2: System ground (GND), FG (Frame ground) and VBLC (Lamp low voltage terminal) in the product should be connected together in customer equipment.

7.3 POSITION OF PLUGS AND A SOCKET





7.4 CONNECTION BETWEEN RECEIVER AND TRANSMITTER FOR LVDS



Note1: The lowest bit (RA0, GA0, BA0, RB0, GB0, BB0), the most upper bit (RA7, GA7, BA7, RB7, GB7, BB7)

Note2: Connecting cable between LCD panel's connector and transmitter should use 100Ω twisted line.

Note3: If only Hsync and Vsync, the product don't work. Make sure DE signal has been input.



8. DISPLAY COLORS AND INPUT DATA SIGNALS

This product can display in equivalent to 16,777,216 colors in 256 scales. Also the relation between display colors and input data signals is as the following table.

| Display colors | | Data signal (0:Low level, 1:High Level) | | | | | | | | | | | | | | | | | | | | | | | |
|-----------------|---------|---|----|----|----|----|----|----|----|----|----|----|----|----|----|----|----|----|----|----|----|----|----|----|----|
| | | R7 | R6 | R5 | R4 | R3 | R2 | R1 | R0 | G7 | G6 | G5 | G4 | G3 | G2 | G1 | G0 | B7 | B6 | B5 | B4 | B3 | B2 | B1 | B0 |
| Basic Color | Black | 0 | 0 | 0 | 0 | 0 | 0 | 0 | 0 | 0 | 0 | 0 | 0 | 0 | 0 | 0 | 0 | 0 | 0 | 0 | 0 | 0 | 0 | 0 | 0 |
| | Blue | 0 | 0 | 0 | 0 | 0 | 0 | 0 | 0 | 0 | 0 | 0 | 0 | 0 | 0 | 0 | 0 | 1 | 1 | 1 | 1 | 1 | 1 | 1 | 1 |
| | Red | 1 | 1 | 1 | 1 | 1 | 1 | 1 | 1 | 0 | 0 | 0 | 0 | 0 | 0 | 0 | 0 | 0 | 0 | 0 | 0 | 0 | 0 | 0 | 0 |
| | Magenta | 1 | 1 | 1 | 1 | 1 | 1 | 1 | 1 | 0 | 0 | 0 | 0 | 0 | 0 | 0 | 0 | 1 | 1 | 1 | 1 | 1 | 1 | 1 | 1 |
| | Green | 0 | 0 | 0 | 0 | 0 | 0 | 0 | 0 | 1 | 1 | 1 | 1 | 1 | 1 | 1 | 1 | 0 | 0 | 0 | 0 | 0 | 0 | 0 | 0 |
| | Cyan | 0 | 0 | 0 | 0 | 0 | 0 | 0 | 0 | 1 | 1 | 1 | 1 | 1 | 1 | 1 | 1 | 1 | 1 | 1 | 1 | 1 | 1 | 1 | 1 |
| | Yellow | 1 | 1 | 1 | 1 | 1 | 1 | 1 | 1 | 1 | 1 | 1 | 1 | 1 | 1 | 1 | 1 | 0 | 0 | 0 | 0 | 0 | 0 | 0 | 0 |
| | White | 1 | 1 | 1 | 1 | 1 | 1 | 1 | 1 | 1 | 1 | 1 | 1 | 1 | 1 | 1 | 1 | 1 | 1 | 1 | 1 | 1 | 1 | 1 | 1 |
| Red grayscale | Black | 0 | 0 | 0 | 0 | 0 | 0 | 0 | 0 | 0 | 0 | 0 | 0 | 0 | 0 | 0 | 0 | 0 | 0 | 0 | 0 | 0 | 0 | 0 | 0 |
| | | 0 | 0 | 0 | 0 | 0 | 0 | 0 | 1 | 0 | 0 | 0 | 0 | 0 | 0 | 0 | 0 | 0 | 0 | 0 | 0 | 0 | 0 | 0 | 0 |
| | Dark | 0 | 0 | 0 | 0 | 0 | 0 | 1 | 0 | 0 | 0 | 0 | 0 | 0 | 0 | 0 | 0 | 0 | 0 | 0 | 0 | 0 | 0 | 0 | 0 |
| | ↑ | | | | : | | | | | | | | | | | | | | | | | | | | |
| | ↓ | | | | : | | | | | | | | | | | | | | | | | | | | |
| | Bright | 1 | 1 | 1 | 1 | 1 | 1 | 0 | 1 | 0 | 0 | 0 | 0 | 0 | 0 | 0 | 0 | 0 | 0 | 0 | 0 | 0 | 0 | 0 | 0 |
| Red | 1 | 1 | 1 | 1 | 1 | 1 | 1 | 0 | 0 | 0 | 0 | 0 | 0 | 0 | 0 | 0 | 0 | 0 | 0 | 0 | 0 | 0 | 0 | 0 | |
| | 1 | 1 | 1 | 1 | 1 | 1 | 1 | 1 | 0 | 0 | 0 | 0 | 0 | 0 | 0 | 0 | 0 | 0 | 0 | 0 | 0 | 0 | 0 | 0 | |
| Green grayscale | Black | 0 | 0 | 0 | 0 | 0 | 0 | 0 | 0 | 0 | 0 | 0 | 0 | 0 | 0 | 0 | 0 | 0 | 0 | 0 | 0 | 0 | 0 | 0 | 0 |
| | | 0 | 0 | 0 | 0 | 0 | 0 | 0 | 0 | 0 | 0 | 0 | 0 | 0 | 0 | 0 | 1 | 0 | 0 | 0 | 0 | 0 | 0 | 0 | 0 |
| | Dark | 0 | 0 | 0 | 0 | 0 | 0 | 0 | 0 | 0 | 0 | 0 | 0 | 0 | 0 | 1 | 0 | 0 | 0 | 0 | 0 | 0 | 0 | 0 | 0 |
| | ↑ | | | | : | | | | | | | | | | | | | | | | | | | | |
| | ↓ | | | | : | | | | | | | | | | | | | | | | | | | | |
| | Bright | 0 | 0 | 0 | 0 | 0 | 0 | 0 | 0 | 1 | 1 | 1 | 1 | 1 | 1 | 0 | 1 | 0 | 0 | 0 | 0 | 0 | 0 | 0 | 0 |
| Green | 0 | 0 | 0 | 0 | 0 | 0 | 0 | 0 | 1 | 1 | 1 | 1 | 1 | 1 | 1 | 0 | 0 | 0 | 0 | 0 | 0 | 0 | 0 | 0 | |
| | 0 | 0 | 0 | 0 | 0 | 0 | 0 | 0 | 1 | 1 | 1 | 1 | 1 | 1 | 1 | 1 | 0 | 0 | 0 | 0 | 0 | 0 | 0 | 0 | |
| Blue grayscale | Black | 0 | 0 | 0 | 0 | 0 | 0 | 0 | 0 | 0 | 0 | 0 | 0 | 0 | 0 | 0 | 0 | 0 | 0 | 0 | 0 | 0 | 0 | 0 | 0 |
| | | 0 | 0 | 0 | 0 | 0 | 0 | 0 | 0 | 0 | 0 | 0 | 0 | 0 | 0 | 0 | 0 | 0 | 0 | 0 | 0 | 0 | 0 | 0 | 1 |
| | Dark | 0 | 0 | 0 | 0 | 0 | 0 | 0 | 0 | 0 | 0 | 0 | 0 | 0 | 0 | 0 | 0 | 0 | 0 | 0 | 0 | 0 | 0 | 1 | 0 |
| | ↑ | | | | : | | | | | | | | | | | | | | | | | | | | |
| | ↓ | | | | : | | | | | | | | | | | | | | | | | | | | |
| | Bright | 0 | 0 | 0 | 0 | 0 | 0 | 0 | 0 | 0 | 0 | 0 | 0 | 0 | 0 | 0 | 0 | 1 | 1 | 1 | 1 | 1 | 1 | 0 | 1 |
| Blue | 0 | 0 | 0 | 0 | 0 | 0 | 0 | 0 | 0 | 0 | 0 | 0 | 0 | 0 | 0 | 0 | 1 | 1 | 1 | 1 | 1 | 1 | 1 | 0 | |
| | 0 | 0 | 0 | 0 | 0 | 0 | 0 | 0 | 0 | 0 | 0 | 0 | 0 | 0 | 0 | 0 | 1 | 1 | 1 | 1 | 1 | 1 | 1 | 1 | |

The information contained herein is the exclusive property of SHANGHAI AVIC OPTOELECTRONICS Corporation, and shall not be distributed, reproduced, or disclosed in whole or in part without prior written permission of SHANGHAI AVIC OPTOELECTRONICS Corporation.



9. INTERFACE TIMING

9.1 TIMING CHARACTERISTICS

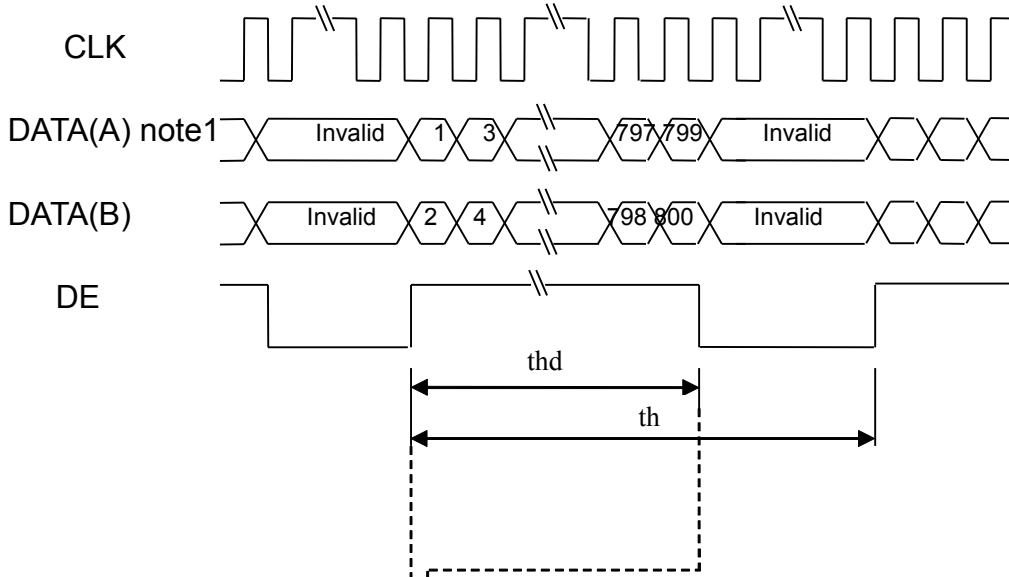
| Parameter | | Symbol | min. | typ. | max. | Unit | Remarks |
|--------------------|----------------------|--------|---|-------|-------|------|------------------------|
| Clock | Frequency | 1/tc | 33.16 | 39.80 | 49.74 | MHz | LVDS transmitter input |
| | | tc | 30.16 | 25.13 | 20.10 | ns | |
| | Rise time, Fall time | - | Refer to the timing characteristics of LVDS transmitter | | | ns | Note 1 |
| | Duty | - | | | | - | |
| Horizontal signals | Cycle | th | 14.8 | 18.0 | 26.5 | μs | 55.5kHz(typ.) |
| | | | 920 | 1056 | 1240 | CLK | |
| | Display period | thd | 800 | | | CLK | - |
| Vertical signals | Cycle | tv | 13.3 | 16.67 | 20 | ms | 60.0Hz(typ.) |
| | | | 608 | 628 | 650 | H | |
| | Display period | tvd | 600 | | | H | - |
| DE/Data | Setup time | - | Refer to the timing characteristics of LVDS transmitter | | | ns | Note 1 |
| | Hold time | - | | | | ns | |
| | Rise time, Fall time | - | | | | ns | |

Note1: See the data sheet of LVDS transmitter.

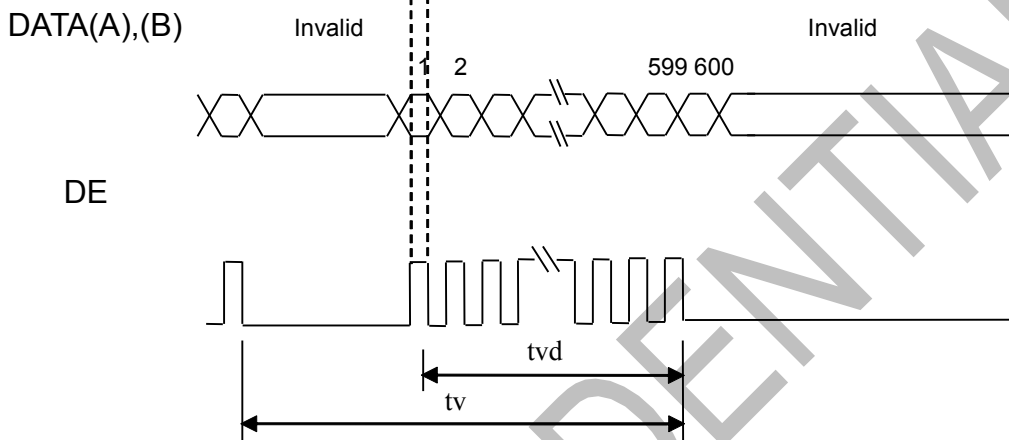


9.2 INPUT SIGNAL TIMING CHART

Horizontal timing



Vertical timing



Note 1:

DATA(A)=RA0-RA7,GA0-GA7,BA0-BA7
 DATA(B)=RB0-RB7,GB0-GB7,BB0-BB7



9.3 PIXEL DATA ALIGNMENT OF DISPLAY IMAGE

The following chart is the coordinates of per pixel

Odd Pixel: RA= R DATA

Even Pixel : RB=R DATA

GA= G DATA

GB=G DATA

BA= B DATA

BB=B DATA

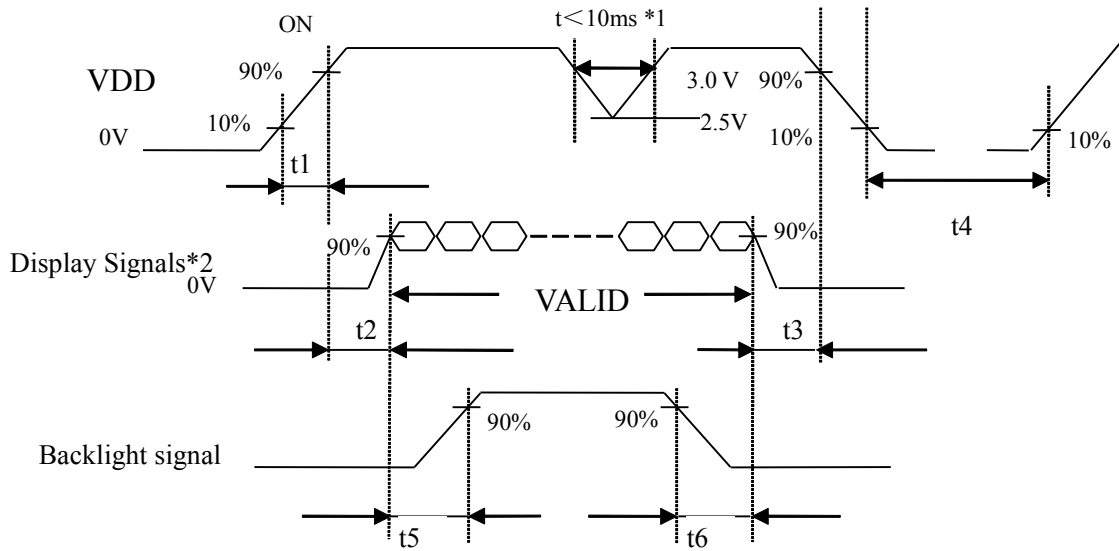
| | | | | | |
|--------|----|----|--------|----|----|
| D(1,1) | | | D(2,1) | | |
| RA | GA | BA | RB | GB | BB |

| | | | | |
|----------|----------|----------|-----|-------------|
| D(1,1) | D(2,1) | D(3,1) | ... | D(1440,1) |
| D(1,2) | D(2,2) | D(3,2) | ... | D(1440,2) |
| D(1,3) | D(2,3) | D(3,3) | ... | D(1440,3) |
| • | • | • | ... | • |
| • | • | • | ... | • |
| • | • | • | ... | • |
| D(1,900) | D(2,900) | D(2,900) | ... | D(1440,900) |



9.4. POWER SUPPLY VOLTAGE SEQUENCE

9.4.1 The sequence of backlight and power



Timing Specifications:

- t1 :0.47ms<t1 <10ms;
- t2 :0.5 ms<t2 <50ms;
- t3 :0ms<t3 <50ms;
- t4 :t4 >1000ms;
- t5 :t5 >200ms;
- t6 :t6 >200ms;

*1. When VDD is on, but the value is lower than 2.5V, a protection circuit may work, then the module may not display.

*2 The signal line is not connected with the module, at the end of cable the terminal resistor of 100Ω should be added.

Note1: Display signals (D0+/-, D1+/-, D2+/-, D3+/- and CK+/-) must be "0" voltage, exclude the VALID period (See above sequence diagram). If these signals are higher than 0.3 V, the internal circuit is damaged.

If some of display signals of this product are cut while this product is working, even if the signal input to it once again, it might not work normally. If customer stops the display signals, they should cut VDD.

Note2: When VDD is on, it should be set above 2.5V.

Note3: The backlight power supply voltage should be inputted within the valid period of display and function signals, in order to avoid unstable data display.



9.4.2 Power supply voltage ripple

When the power supply is designed, the next form can give the reference. If the voltage ripple is over the value in next form, the noise should be seen in display area.

Ripple (Measured at input terminal of power supply)

| | |
|----------------|-----------------------------------|
| | VDD (3.3V to drive the panel) |
| Ripple voltage | ≤200mVP-P (Including spike noise) |

9.4.3 Fuse

| Parameter | Fuse | | Rating | Fusing current | Remarks |
|-----------|--------------|----------|-------------|----------------|---------|
| | Type | Supplier | | | |
| VDD | FCC16152ABTP | KAMAYA | 1.5A 32V | 3.0A | Note1 |

Note1: There are different power supply systems from the power input terminal. The power supply capacity should be less than the fusing current. If the power supply capacity is above the fusing current, the fuse may blow in a short time, and then nasty smell, smoking and so on may occur.



10. OPTICS

10.1 Optical characteristics

Note1 ,Note2

| Parameter Note1 | | Condition | Symbol | min. | typ. | max. | Unit | Remarks |
|----------------------|-------|---|------------|-------|-------|--------|-------------------|---------|
| Luminance | | White at center $\theta R=0^\circ, \theta L=0^\circ$ $\theta U=0^\circ, \theta D=0^\circ$ | L | (320) | 400 | - | cd/m ² | - |
| Contrast ratio | | White/Black at center $\theta R=0^\circ, \theta L=0^\circ$ $\theta U=0^\circ, \theta D=0^\circ$ | CR | (400) | 600 | - | - | Note3 |
| Luminance uniformity | | White $\theta R=0^\circ, \theta L=0^\circ$ $\theta U=0^\circ, \theta D=0$ | LU | - | 1.25 | (1.33) | - | Note4 |
| Chromaticity | White | X coordinate | Wx | 0.283 | 0.313 | 0.343 | - | Note5 |
| | | Y coordinate | Wy | 0.299 | 0.329 | 0.359 | - | |
| | Red | X coordinate | Rx | 0.578 | 0.608 | 0.638 | - | |
| | | Y coordinate | Ry | 0.307 | 0.337 | 0.367 | - | |
| | Green | X coordinate | Gx | 0.273 | 0.303 | 0.333 | - | |
| | | Y coordinate | Gy | 0.551 | 0.581 | 0.611 | - | |
| | Blue | X coordinate | Bx | 0.118 | 0.148 | 0.178 | - | |
| | | Y coordinate | By | 0.082 | 0.112 | 0.142 | - | |
| Color gamut | | $\theta R=0^\circ, \theta L=0^\circ,$ $\theta U=0^\circ, \theta D=0$ At center, against NTSC | C | 50 | 55 | - | % | |
| Response time | | White to black | Ton | - | 10 | (20) | ms | Note6 |
| | | Black to white | Toff | - | 25 | (30) | ms | |
| | | Ton+ Toff | - | - | 35 | (50) | ms | Note7 |
| Viewing angle | Right | $\theta U=0^\circ, \theta D=0^\circ, CR \geq 10$ | θR | 60 | 70 | - | ° | Note8 |
| | Left | $\theta U=0^\circ, \theta D=0^\circ, CR \geq 10$ | θL | 60 | 70 | - | ° | |
| | Up | $\theta R=0^\circ, \theta L=0^\circ, CR \geq 10$ | θU | 40 | 50 | - | ° | |
| | Down | $\theta R=0^\circ, \theta L=0^\circ, CR \geq 10$ | θD | 50 | 60 | - | ° | |

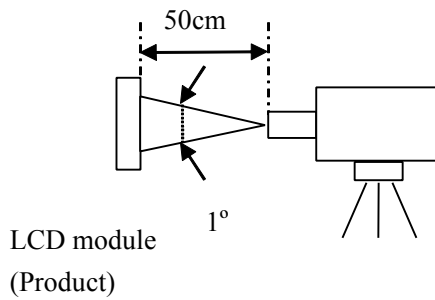
Note1: The values in upper table are only initial characteristics.

Note2: Measurement conditions are as follows.

Ta= 25°C, VDD= 3.3V, IBL= 6.5mA/lamp, Display mode: WXGA+,

Horizontal cycle=55.56KHz, Vertical cycle=60.0Hz

Optical characteristics are measured at luminance saturation after 30minutes from working the product in the dark room. Also measurement method for luminance is as follows.



Luminance Meter (TOPCON BM-5A)
Spectroradiometer(TOPCON SR-3)

- Note 3: See “10.2 Definition of contrast ratio”.
- Note 4: See “10.3 Definition of luminance uniformity”.
- Note 5: CIE 1931 Chromaticity Diagram Standard.
- Note 6: Product surface temperature: TopF = 33.0 °C
- Note 7: See “10.4 Definition of response time”.
- Note 8: See “10.5 Definition of viewing angle”.

10.2 Definition of contrast ratio

The contrast ratio is calculated by using the following formula.

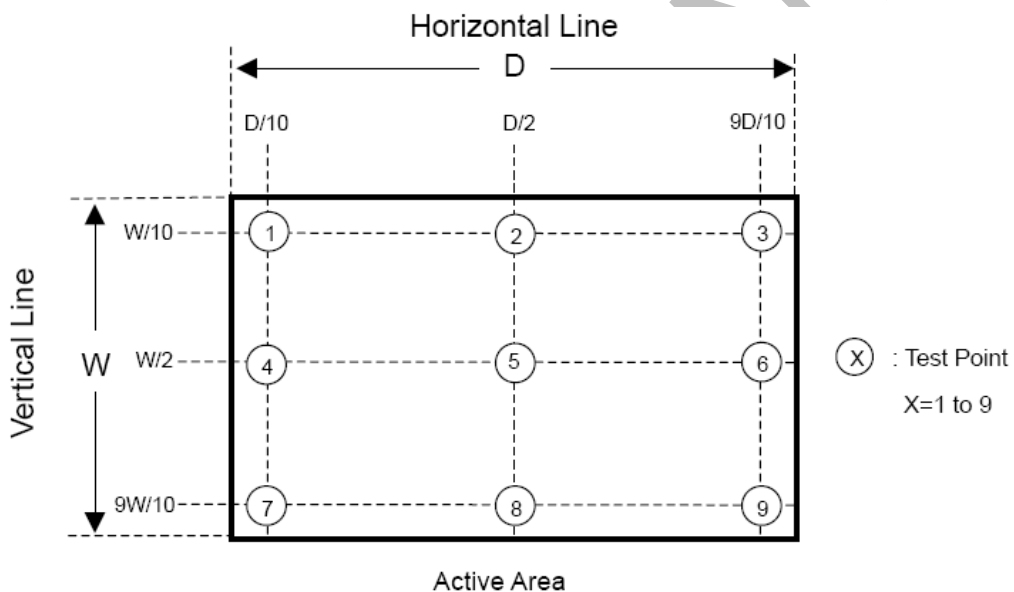
$$\text{Contrast ratio (CR)} = \frac{\text{Luminance of white screen}}{\text{Luminance of black screen}}$$

10.3 Definition of luminance uniformity

The luminance uniformity is calculated by using the following formula.

$$\text{Luminance uniformity (LU)} = \frac{\text{Maximum luminance from ① to ⑨}}{\text{Minimum luminance from ① to ⑨}}$$

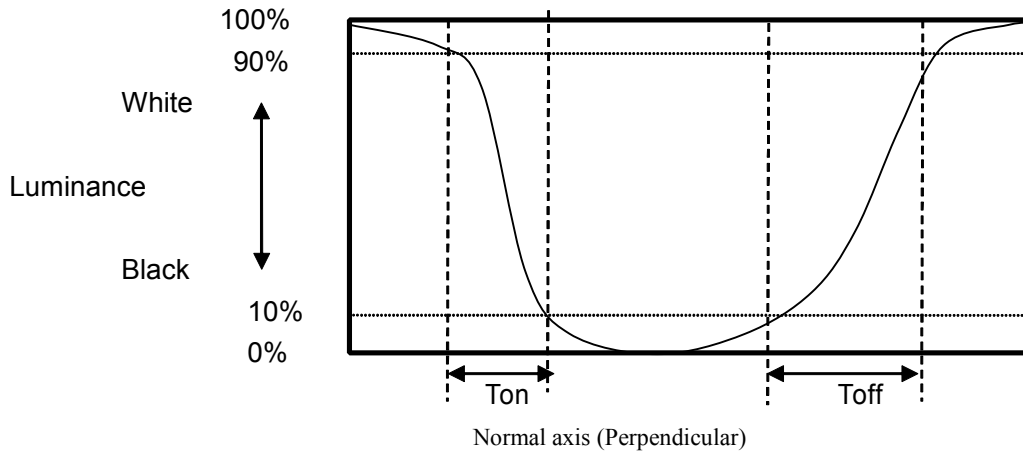
The luminance is measured at near the 9 points shown below.



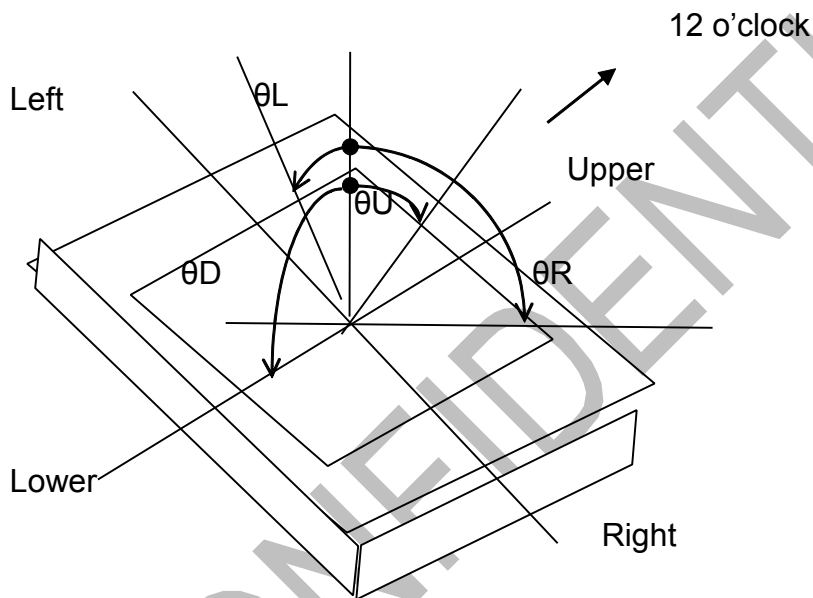


10.4 Definition of response times

Response time is measured, the luminance changes from “white” to “black”, or “black” to “white” on the same screen point, by photo-detector. Ton is the time it takes the luminance change from 90% down to 10%. Also Toff is the time it takes the luminance change from 10% up to 90%. (See the following diagram.)



10.5 Definition of viewing angles





11. MARKINGS

The various markings are attached to this product. See “11.2 INDECATION LOCATIONS” for attachment positions.

11.1 PRODUCT LABEL



Note1: The meaning of OEM number, Example: S190M50A12SA1SA109A0001

| | | | | |
|----------------------|---|-----------------------|------------------|----------------------|
| <u>S190M50A</u> | <u>12</u> | <u>SA1SA1</u> | <u>09A</u> | <u>0001</u> |
| Module Number | Source & Gate Driver IC Code | Location Line# | Date code | Serial Number |

Date code:

1st Character Year Codes

| | | | | | | | | | | |
|-------|------|------|------|------|------|------|------|------|------|-------|
| Month | 2010 | 2011 | 2012 | 2013 | 2014 | 2015 | 2016 | 2017 | 2018 | So on |
| Code | 0 | 1 | 2 | 3 | 4 | 5 | 6 | 7 | 8 | |

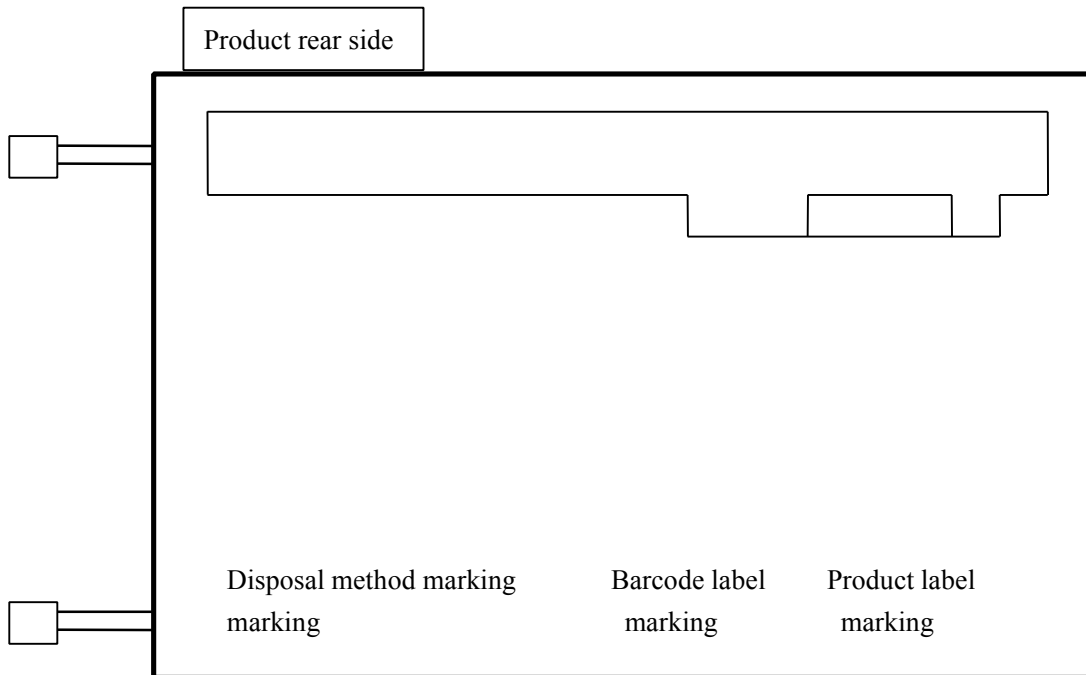
2nd Character Month Codes

| | | | | | | | | | | | | |
|-------|---------|----------|-------|-------|-----|------|------|--------|-----------|---------|----------|----------|
| Month | January | February | March | April | May | June | July | August | September | October | November | December |
| Code | 1 | 2 | 3 | 4 | 5 | 6 | 7 | 8 | 9 | A | B | C |

3rd Character Day Codes

| | | | | | | | | | | | |
|------|------|------|------|------|------|------|------|------|------|------|------|
| Day | 1st | 2nd | 3rd | 4th | 5th | 6th | 7th | 8th | 9th | 10th | 11st |
| Code | 1 | 2 | 3 | 4 | 5 | 6 | 7 | 8 | 9 | A | B |
| Day | 12nd | 13rd | 14th | 15th | 16th | 17th | 18th | 19th | 20th | 21st | 22nd |
| Code | C | D | E | F | G | H | I | J | K | L | M |
| Day | 23rd | 24nd | 25st | 26nd | 27rd | 28th | 29th | 30th | 31st | | |
| Code | N | O | P | Q | R | S | T | U | V | | |

Note2: Do not attach anything such as label and so on, on the product label! In case repair the product, AVIC needs the contents of product label such as the lot number, inspection date and so on, to identify the warranty period with individual product. If AVIC cannot decipher the contents of product label, such repair shall be entitled to charge. Also AVIC may give a new lot number to reconditioned products.





12. PACKING, TRANSPORTATION AND DELIVERY

AVIC will pack products to deliver to customer in accordance with AVIC packing specifications, and will deliver products to customer in such a state that products will not suffer from a damage during transportation. The delivery conditions are as follows.

12.1 PACKING

(1) Packing box

8 products are packed up with the maximum in a packing box (See “**12.5 OUTLINE FIGURE FOR PACKING**”).

Products are put into a plastic bag for prevention of moisture with cushion, and then the bag is sealed up with heat sealing.

The type name and quality are shown on outside of the packing box, either labeling or printing.

(2) Pallet Packing (See “**12.5 OUTLINE FIGURE FOR PACKING**”)

- ① Packing boxes are tied on a cardboard pallet. (8 boxes × 4 tiers maximum)
- ② Cardboard sleeve and top cap are attached to the packing boxes, then they are fixed by a band.

12.2 INSPECTION RECORD SHEET

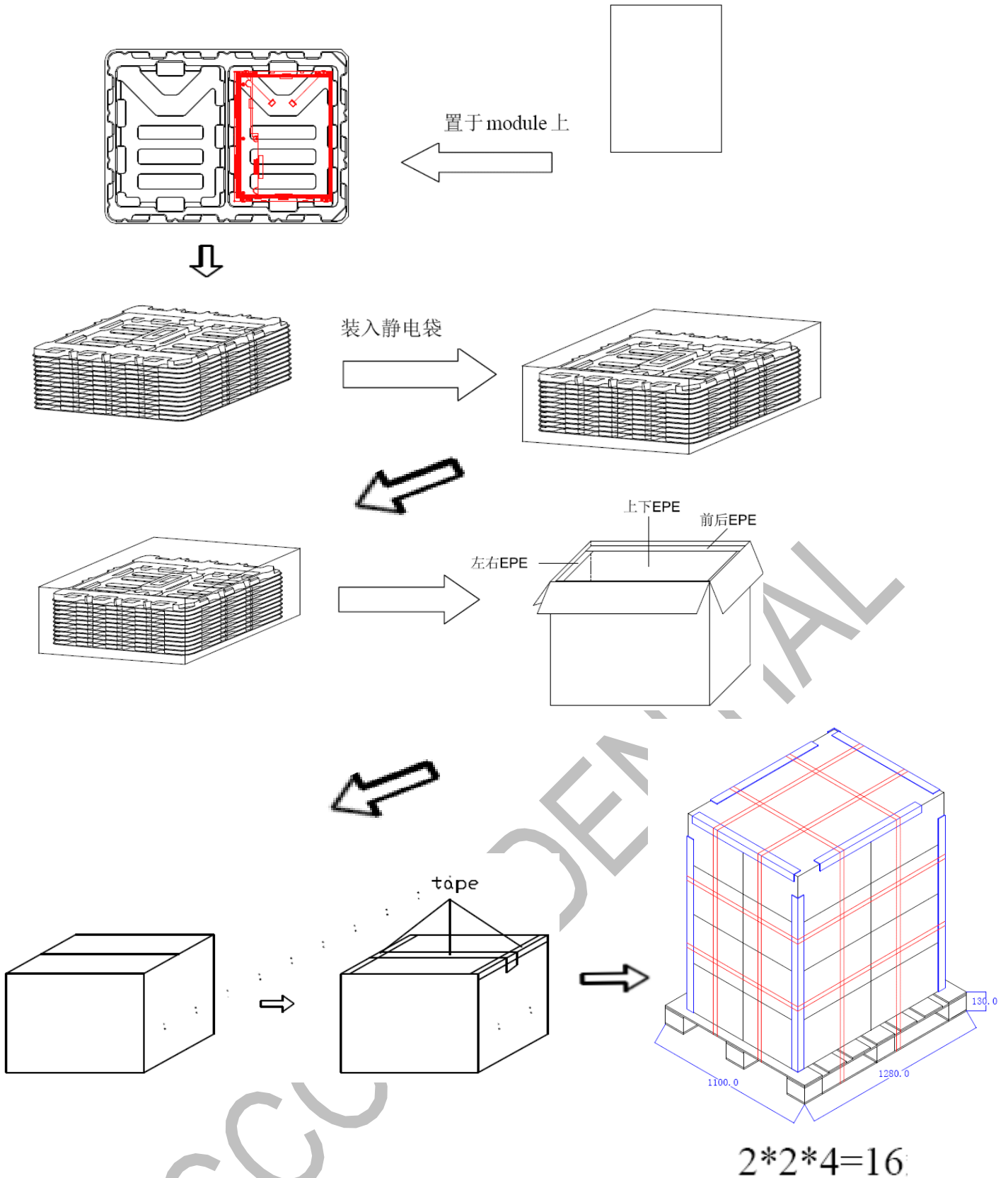
Inspection record sheets are included in the packing box with delivery products to customer. It is summarized to a number of products for pass/fail assessment.

12.3 TRANSPORTATION

The product is transported by vehicle, aircraft or shipment in the state of pallet packing.

12.4 SIZE AND WEIGHT FOR PACKING BOX

| Parameter | Packing box | Unit |
|--------------|------------------------------------|------|
| Size | 577 (L) × 421 (W) × 326 (H) (typ.) | mm |
| Weight | 0.425 (typ.) | kg |
| Total weight | 13.1 (typ.) (with 20 products) | kg |





13. PRECAUTIONS

13.1 MEANING OF CAUTION SIGNS

The following caution signs have very important meaning .**Be sure to read “13.2 CAUTIONS” and “13.3 ATTENTIONS”, after understanding these contents!**



This sign have the meaning that customer will be injured by himself or the product will sustain a damage, if customer has wrong operations.



This sign has the meaning that customer will get an electrical shock, if customer has wrong operations.



This sign has the meaning that customer will be injured by himself, if customer has wrong operations.

13.2 CAUTIONS



Do not touch lamp cables while turn on .Customers will be in danger of an electric shock



*** Do not touch the working backlight and IC. Customers will be in danger of burn injury.
* Do not shock and press the LCD panel and the backlight! There is a danger of breaking, because they are made of glass.(shock :To be not greater 294m/s² and to be not greater 11ms, Pressure: To be not greater 19.6N)**

13.3 ATTENTIONS



13.3.1 Handling of the product

- ① Take hold of both ends without touch the circuit board when customer pulls out products (LCD modules) from inner packing box. If customer touches it, products may be broken down or out of adjustment, because of stress to mounting parts.
- ② Do not hook cables nor pull connection cables such as flexible cable and so on , for fear of damage.
- ③ If customer puts down the product temporarily, the product puts on flat subsoil as a display side turns down.
- ④ Take the measures of electrostatic discharge such as earth band, ionic shower and so on, when customer deal with the product, because products may be damaged by electrostatic.



- ⑤ The torque for mounting screws must never exceed 0.34N-m. Higher torque values might result in distortion of the bezel.
- ⑥ The product must be installed using mounting holes without undue stress such as bends or twist (See outline drawings). And do not add undue stress to any portion (such as bezel flat area) except mounting hole portion.
- ⑦ Bends or twist described above and undue stress to any portion except mounting hole portion may cause display un-uniformity.
- ⑧ Do not press or rub on the sensitive display surface .If customer clean on the panel surface, AVIC recommends using the cloth with ethanolic liquid such as screen cleaner for LCD.
- ⑨ Do not push-pull the interface connectors while the product is working, because wrong power sequence may break down the product.
- ⑩ Do not bend or unbend the lamp cable at the near part of the lamp holding rubber, to avoid the damage for high voltage side of the lamp. This damage may cause a lamp breaking and abnormal operation of high voltage circuit.

13.3.2 Environment

- ① Do not operate or store in high temperature, high humidity, dewdrop atmosphere or corrosive gases. Keep the product in antistatic pouch in room temperature, because of avoidance for dusts and sunlight, if customer stores the product.
- ② In order to prevent dew condensation occurring by temperature difference, the product packing box must be opened after leave under the environment of an unpacking room temperature enough. Because a situation of dew condensation occurring is changed by the environment temperature and humidity, evaluate the leaving time sufficiently. (Recommendation leaving time: 6 hour or more with packing state)
- ③ Do not operate in a high magnetic field .Circuit boards may be broken down by it.
- ④ This product is not designed as radiation hardened.
- ⑤ Use an original protection sheet on the product surface (polarizer). Adhesive type protection sheet should be avoided, because it may change color or properties of the polarizer.

13.3.3 Characteristics

The following items are neither defects nor failures.

- ① ambient temperature.
- ② The LCD may be seemed luminance non-uniformity, flicker, vertical seam or small spot by display patterns.
- ③ Optical characteristics (e.g. luminance, display uniformity, etc.) gradually is going to change depending on operating time ,and especially low temperature, because the LCD has cold cathode fluorescent lamps.
- ④ Do not display the fixed pattern for a long time because it may cause image sticking .Use a screen saver, if the fixed pattern is displayed on the screen.
- ⑤ The display color may be changed by viewing angle because of the use of condenser sheet in the backlight.
- ⑥ Optical characteristics may be changed by input signal timings.



- ⑦ The interference noise of input signal frequency for this product and luminance control frequency of customer's backlight inverter may appear on a display. Set up luminance control frequency of backlight inverter so that the interference noise does not appear.

13.4 Other

- ① All GND and VCC terminals should be used without a non-connected line.
- ② Do not disassemble a product or adjust volume without permission of AVIC.
- ③ Pay attention not to insert waste materials inside of products, if customer uses screw nails.
- ④ Pack the product with original shipping package, because of avoidance of some damages during transportation, when customer returns it to AVIC for repair and so on .
- ⑤ Not only the module but also the equipment should be packed and transported as the module. becomes vertical .Otherwise, there is the fear that a display dignity decreases by an impact or vibrations.

